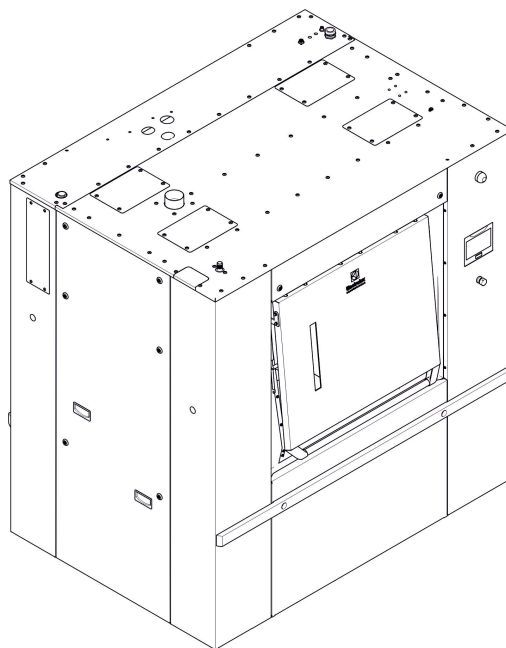


Installation manual Washer-extractors

WB6 70- WB6 90 – WB6 110



Electrolux
PROFESSIONAL

Contents

Contents

| | | |
|------|--|----|
| 1 | Safety precautions..... | 5 |
| 1.1 | Symbols..... | 11 |
| 1.2 | Personal protection equipment..... | 12 |
| 1.3 | Preliminary instructions..... | 12 |
| 1.4 | Data plate explanation..... | 14 |
| 1.5 | Warranty terms and exclusions..... | 17 |
| 2 | Environmental information..... | 18 |
| 3 | Locking and tagging procedure..... | 18 |
| 4 | Handling..... | 20 |
| 4.1 | Lifting with a fork-lift truck..... | 20 |
| 4.2 | Lifting with handlings straps..... | 20 |
| 5 | Packing-Weight..... | 21 |
| 5.1 | Packing..... | 21 |
| 5.2 | Weight..... | 22 |
| 6 | Technical characteristics..... | 22 |
| 6.1 | Explanation of following installation drawings..... | 22 |
| 6.2 | Washer extractor type WB6 70..... | 23 |
| 6.3 | Connections WB6 70 :..... | 26 |
| 6.4 | Washer extractor type WB6 90..... | 29 |
| 6.5 | Connections WB6 90 :..... | 32 |
| 6.6 | Washer extractor type WB6 110..... | 35 |
| 6.7 | Connections WB6 110 :..... | 38 |
| 7 | Sound levels..... | 40 |
| 8 | Working place lighting..... | 40 |
| 9 | Supplies..... | 41 |
| 10 | Barrier partition..... | 42 |
| 11 | Mechanical installation..... | 44 |
| 11.1 | Unpacking..... | 44 |
| 11.2 | Installation..... | 44 |
| 11.3 | Installing the shock absorber runners..... | 44 |
| 11.4 | Instructions for securing the machine on the ground..... | 45 |
| 11.5 | Setting the bolsters..... | 47 |
| 12 | Remove of the transport locks fitted..... | 47 |
| 13 | Drain connection..... | 48 |
| 14 | Waters connections..... | 49 |
| 15 | Liquid detergents connection..... | 51 |
| 15.1 | Connection scheme of liquid detergents..... | 53 |
| 15.2 | Electrical liquid detergents' connection..... | 54 |
| 16 | Steam connection..... | 56 |
| 17 | Air vent connection..... | 57 |
| 18 | Note about the A.C. power..... | 59 |
| 19 | Feeder cable sections..... | 59 |
| 20 | Electricity power supply..... | 61 |
| 21 | Compressed air connection..... | 63 |
| 22 | Function checks..... | 64 |
| 23 | Explanation of washing symbols..... | 67 |
| 23.1 | Washing..... | 67 |
| 23.2 | Bleaching..... | 67 |
| 23.3 | Drying..... | 68 |
| 23.4 | Ironing..... | 68 |
| 23.5 | Dry or water cleaning..... | 68 |
| 24 | Conversion of measurement units..... | 70 |

The manufacturer reserves the right to make changes to design and component specifications.

1 Safety precautions

CAUTION

READ THIS ENTIRE MANUAL BEFORE USAGE

Inner drum doors correct closing is indicated by an audible click

Before starting the machine, the doors'locking mechanism **MUST BE TESTED** :

- 1** Check that the locker is properly operating by pressing the safety latch alone.
It must be free and the doors do not open.
- 2** Pushed in the doors inwards **without pressing the safety latch**.
If the inner doors open, the safety latch does not work : call your Electrolux Professional service representative.
Note that the machine MUST NOT be used.
- 3** Ensure that no textiles are jammed between the inner doors.

1

2

3

DO NOT OVERLOAD THE MACHINE

Please refer to the user manual for details

31110625_GB

35 kg Max

35 kg Max

70 kg max
WB6 70

45 kg Max

45 kg Max

90 kg max
WB6 90

55 kg Max

55 kg Max

110 kg max
WB6 110

This machine should be installed in conformance to the health and safety regulations, and only used in a sufficiently aerated area. Check the instructions before installing or using the machine.

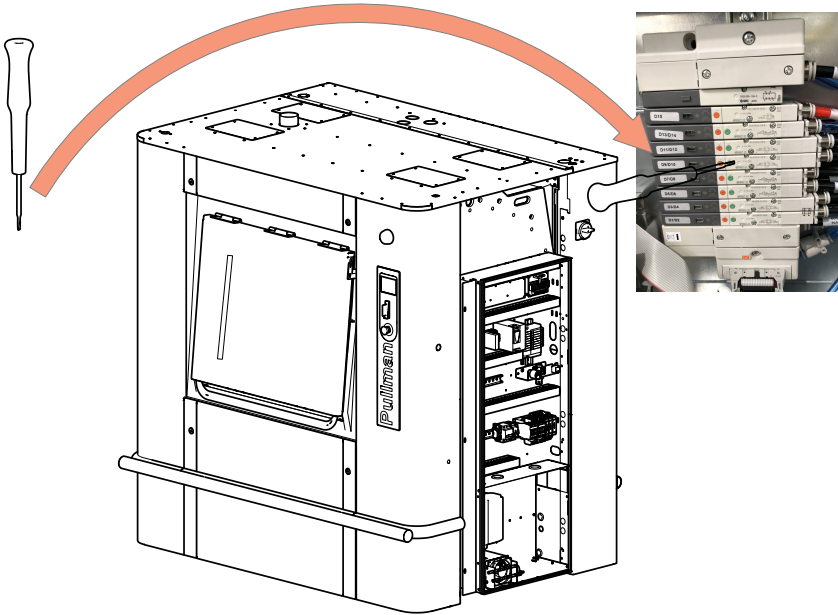


CAUTION



Before any use, to retire all the parts needed to install the machine put in the drum , please follow these actions

1. connect compressed air.
2. Remove the side housing cabinet.
3. Push on the orange button of the D9/D10 distribution unit in the electric cabinet.
(see drawing below)



4. Open the loading door.
5. Open the drum doors , with precautions, maintain the 2 doors.
6. Get the package and instructions.

**CAUTION**

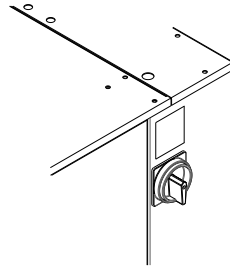
Users must have learnt how the machine operates.
This device must not be installed in places accessible to the public.
The machine is only intended for water-wash use.
Do not allow minors to use the machine.
Do not hose down the machine with water.
Only use detergent intended for water-wash of textiles Never use dry cleaning agents.
It is forbidden to wash textiles soaked with solvents.
The machine's door lock must under no circumstances be bypassed.
If the machine develops a fault, this must be reported to the person in charge as soon as possible. This is important both for your safety and that of others.
DO NOT MODIFY OR TAMPER WITH THIS APPLIANCE.
Servicing shall be carried out only by authorised personnel by **ELECTROLUX PROFESSIONAL**.
Only original spare parts shall be used.
When performing service or replacing parts, the power must be disconnected.
When the power is disconnected, the operator must see that the machine is disconnected (that the plug is removed and remains removed) from any point to which he has access. If this is not possible, due to the construction or installation of the machine, a disconnection with a locking system in the isolated position shall be provided.
In accordance with the wiring rules : mount a multi-pole switch prior to the machine to facilitate installation and service operations.
In order to prevent damage to the electronics (and other parts) that may occur as the result of condensation, the machine should be placed in room temperature for 24 hours before being used for the first time.
In case of a gas heated machine, do not assemble the machine on premises containing a dry cleaning machines or other similar machines.
Please wash only items offering appropriate distribution inside the drum.
Do not wash items such as mattresses or shoes.
Call our technical departments before washing nonstandard items. Noncompliance with these instructions may void the manufacturer's guarantee in case of abuse of the washer-extractor.

**CAUTION**

For the following countries : AT, BE, BG, HR, CY, CZ, DK, EE, FI, FR, DE, GR, HU, IS, IE, IT, LV, LT, LU, MT, NL, NO, PL, PO, PT, RO, SK, SI, ES, SE, CH, TR, UK : This appliance shall not be installed where the public has access.
For other countries : This appliance is not intended for use by persons (including children) with reduced physical, sensory or mental capabilities, or lack of experience and knowledge, unless they have been given supervision or instruction concerning use of the appliance by a person responsible for their safety and understand the hazards involved. Children should be supervised to ensure that they do not play with the appliance.

**IMPORTANT**

The identification plate is located on the right side near the main switch.



Never use the main switch as an emergency stop. Use it only when the machine does not work in progress. Instead of that, use the emergency stop buttons in both sides of the machine.

**IMPORTANT**

Sound pressure level is found in Technical data.

**CAUTION**

Your machine is equipped with an automatic weighing system which weighs the laundry during the loading and unloading cycle. For proper operation of this system, **you should not open the tank doors for the all duration of the wash program initiated** even if errors occurs.

**IMPORTANT**

Never try to open the outer drum door before the complete stop of the cage.

**CAUTION**

Disconnect all the sources of energy before any intervention on the machine.



The machines comply with the European Directive EMC (Electromagnetic Compatibility). They have been tested in laboratory and approved as such. It is so prohibited to add wires or nonshielded electric cables in the cabinets, strands or cables' troughs. Considering that the volume of the outer drum is superior to 150 litres, the standard kept for the electric part is the IN 60204.



CAUTION



With AIDO(Automatic Inner Door Opening) option, Take care of the disc of the opening system above your head. Risk of cutting with the edge of the disc!!
Take care also of the locking system on your side; risk of cutting with the edge of the plate!!



CAUTION



When you put your hands into the drum, take care of the edge of the outer drum doors on yours sides. Risk of cutting with the edge of the metal plate!!



CAUTION



The machine can work without the protective casing when the electric supply is not cut off.
Interlock the main isolating switch with a padlock.
Close the steam or gas inlet valves.



IMPORTANT



Ensure that the machine is not loaded beyond its maximum capacity (70 kg (154 lb) for WB6 70 ; 90 kg (198 lb) for WB6 90 and 110 kg (242 lb) for WB6 110).

An excessive load has consequences for the lifetime of the machine's organs, as follows:

- Premature deterioration and failure of the suspension elements (springs, shock absorbers);
- Excessive fatigue of motorization elements (engine, belt);
- Rapid reduction of lifetime of drum bearings (rolling bearings);
- Opening and destruction of drum doors and tank doors during oil dehydration.

This is particularly important for your safety and that of others.

The consequence is an immediate cancellation of the warranty.



THINK OF THE ENVIRONMENT!

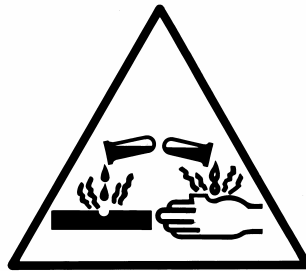


The use and handling of chemical products such as detergent, chlorine, acids, descaling agents, etc may create hazards for health and environment ; the following precautions should be taken:

- Do not breathe the dusts or steam;
- Avoid contact with skin or eyes (may cause burns);
- In case of important spillage, wear a protecting mask, gloves, and eye protectors;
- Handle with care;
- Consult the use and first aid advice on the packing;
- Do not dispose pure products in the environment.





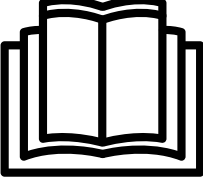
WARNING



The use and handling of chemical products such as detergent, chlorine, acids, antiliming agents etc... may create hazards for health and environment ; the following precautions should be taken.








- Do not breathe the dusts or steam.
- Avoid contact with skin or eyes (may cause burns).
- In case of important spillage, wear a protecting mask, gloves, and eye protectors.
- Handle with care.
- Consult the use and first aid advice on the packings.
- Do not dispose pure products in the environment.

1.1 Symbols

| | |
|---|---|
|  | Caution. |
|  | Caution, presence of dangerous current. |
|  | Read the instructions before using the machine. |

1.2 Personal protection equipment

Given below is a summary table of the Personal Protection Equipment (PPE) to be used during the various phases of the machine's service life.

| Phase | Protection garments  | Safety footwear  | Gloves  | Glasses  | Ear protectors  | Mask  | Safety helmet  |
|------------------------|--|--|---|--|--|---|--|
| Transport | | X | O | | | | |
| Handling | | X | O | | | | |
| Unpacking | | X | O | | | | |
| Installation | | X | O | | | | |
| Normal use | X | X | X | X | | | |
| Adjustments | O | X | | | | | |
| Routine cleaning | O | X | X | O | | | |
| Extraordinary cleaning | O | X | X | O | | | |
| Maintenance | O | X | O | | | | |
| Dismantling | O | X | O | | | | |
| Scrapping | O | X | O | | | | |

Legend : **X** : PPE required ; **O** : PPE available or to be used if necessary.

Normal use : Safety footwear must be defined for a use on a wet floor. And use glasses and gloves to manipulate chemical products.

1.3 Preliminary instructions



WARNING



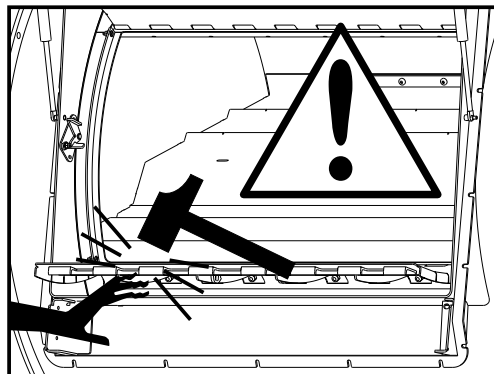
Risk of jamming when opening the lower door for unloading



WARNING

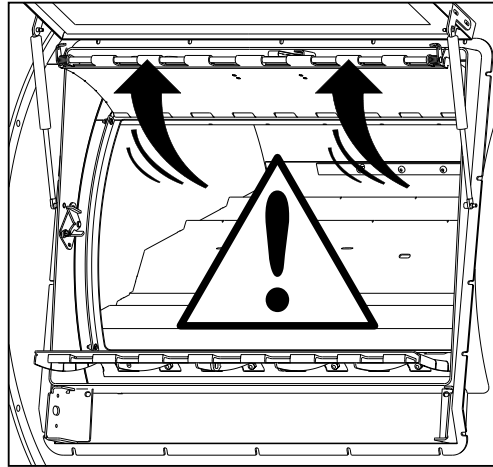


Risk of jamming with trolley and lower door when opening (if trolley height = 900mm)



**WARNING**

Risk of the upper door being raised quickly on loading

**WARNING**

After the installation, Send back the commissioning form ,signed document, to Electrolux to validate the warranty of the product.

1.4 Data plate explanation

In this chapter, you will find the explanation of the different data input on the data plate of your product.

- Commercial name : Usual name of your product (i.e. WPB4700H).
- Type : Type of your product (you have the same on the Declaration of Conformity CE if delivered with CE certification).
- Model : Model of your product (can be different of commercial name) (i.e WSBA6180H17 for commercial name WB6–20) .
- Serial Number : serial number of your product which indicate the week of the production of your product (the first 4 digit indicate the year and the week of production) and the plant where it has been produced (finish by 17)
- Product N°: Product number of your product.
- Date : The date of the end of manufacture of your product
- Capacity : for washer product, the maximum loaded weight of linen for your product (in kg)(i..e. 70 kg for WPB4700H)
- Some technical data depending of the heating of your product : see list below :
- Some technical data depending of the voltage ordered.
the voltage looks like that 380–415V 3 50–60Hz
under this, you find the protection request for your product (i.e 16 A)
- Different logos are available on your data plate .
They represent the different certification obtained for your product
CE, EAC
ETL intertek for USA and Canada countries
- QR code : when you scan it, you will be able to obtain the full documentation for your product (Complete installation and user manuals)
- Standardized protection index of your product : IP24D

Electrical heating :

- P.Max : maximum power installed of your product
- Power of the motorization in kW and its isolation class (F) .
- Heating power in W .



Commercial name : IC44821

Type : IC44821


Model : IC44821

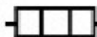
Serial N° : 0472001417

Product N° : 988310101000H

Capacity : - kg

P.Max : 37700 W

 0.37 kW Isol.Class. : F

 36450 W

x

380-415 V  3 50 Hz

 63 A



For safety reasons use only original spare parts.



IP24D Date : 18/11/2020

Made in France by
Electrolux Laundry Systems France
10430 Rosières-près-Troyes - FRANCE



32101642E

Steam heating :

Left side

- P.Max : maximum power installed of your product
- Power of the motorization in kW and its isolation class (F) .
- Heating power in W .

Right side

- P.Maxi. (kPa) maximum pressure

For additional information, do not hesitate to consult with our quality department.



Commercial name : WPB4700H

Type : WPB4700H

Model : WPB4700H

Serial N° : 0472005117

Product N° : 98646370021000F

Capacity : 70 kg

P.Max : 11700 W

P. maxi. 600 kPa

 11 kW Isol.Class. : F

 W
380-415 V  3 50-60 Hz
 32 A


For safety reasons use only original spare parts.



IP24D

Date : 16/11/2020

Made in France by
Electrolux Laundry Systems France
10430 Rosières-près-Troyes - FRANCE



32101642E

1.5 Warranty terms and exclusions

If the purchase of this product includes warranty coverage, warranty is provided in line with local regulations and subject to the product being installed and used for the purposes as designed, and as described within the appropriate equipment documentation.

Warranty will be applicable where the customer has used only genuine spare parts and has performed maintenance in accordance with Electrolux Professional user and maintenance documentation made available in paper or electronic format.

Electrolux Professional strongly recommends using Electrolux Professional approved cleaning, rinse and descaling agents to obtain optimal results and maintain product efficiency over time.

The Electrolux Professional warranty does not cover:

- service trips cost to deliver and pick up the product;
- installation;
- training on how to use/operate;
- replacement (and/or supply) of wear and tear parts unless resulting from defects in materials or workmanship reported within one (1) week from the failure;
- correction of external wiring;
- correction of unauthorized repairs as well as any damages, failures and inefficiencies caused by and/or resulting from:
 - insufficient and/or abnormal capacity of the electrical systems (current/voltage/frequency, including spikes and/or outages);
 - inadequate or interrupted water supply, steam, air, gas (including impurities and/or other that does not comply with the technical requirements for each appliance);
 - plumbing parts, components or consumable cleaning products that are not approved by the manufacturer;
 - customer's negligence, misuse, abuse and/or non-compliance with the use and care instructions detailed within the appropriate equipment documentation;
 - improper or poor: installation, repair, maintenance (including tampering, modifications and repairs carried out by third parties not authorized third parties) and modification of safety systems;
 - Use of non-original components (e.g.: consumables, wear and tear, or spare parts);
 - environment conditions provoking thermal (e.g. overheating/freezing) or chemical (e.g. corrosion/oxidation) stress;
 - foreign objects placed in- or connected to- the product;
 - accidents or force majeure;
 - transportation and handling, including scratches, dents, chips, and/or other damage to the finish of the product, unless such damage results from defects in materials or workmanship and is reported within one (1) week of delivery unless otherwise agreed;
- product with original serial numbers that have been removed, altered or cannot be readily determined;
- replacement of light bulbs, filters or any consumable parts;
- any accessories and software not approved or specified by Electrolux Professional.

Warranty does not include scheduled maintenance activities (including the parts required for it) or the supply of cleaning agents unless specifically covered within any local agreement, subject to local terms and conditions.

Check on Electrolux Professional website the list of authorized customer care.

2 Environmental information

Concerned by providing the end user with useful and necessary environmental information, we wish to precise:

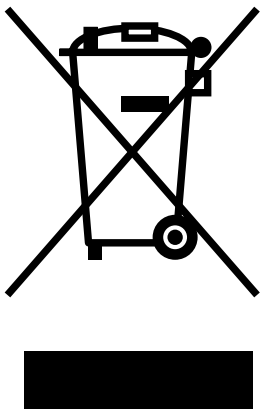
- Data about energetic consumptions, wastes (atmospheric and liquid) and sound level are indicated in the paragraph «Technical characteristics».
- Foreseeing its recycling, this machine is fully dismantable.
- This machine is free from any asbestos.
- In conformity with French regulations.
- In the other countries, we recommend that you comply with the legislation in force in the country where the machine is installed.
- In France, all owners of packing waste producing a weekly volume below 1100 litres can forward these to the local collection and treatment department. If exceeding this volume, the owners of packing waste will ensure their valuation by reuse, recycling or, any other action aiming at producing reusable materials or energy... or provide them contractually to a certified intermediate authorised to transport, trade or broke waste.

Therefore, this forbid:

- land filling raw waste;
- open air burning or incineration without energy collection.

- Packaging of our machines are according with the french legislation related to environment requirements.

For additional information, do not hesitate to consult with our environmental department.



Scrapping of machine


When the machine is no longer to be used, it must be submitted to a recycling facility for destruction.

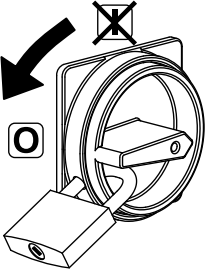
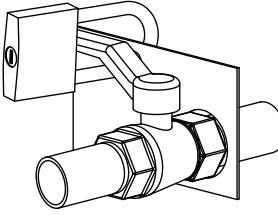
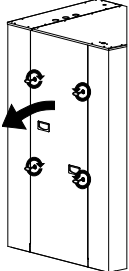
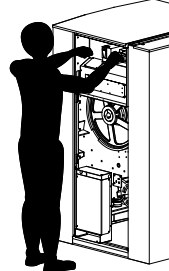
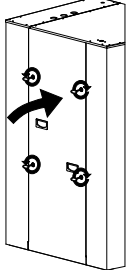
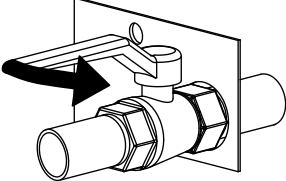
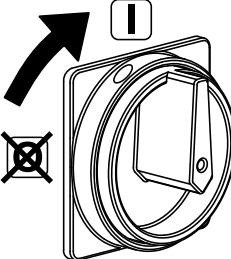
The majority of the components in the machine can be reused, but it also contains other materials that must be taken care of in the correct way.

Therefore, never mix the machine or its parts with domestic waste as this may lead to health hazards or damage to the environment.

3 Locking and tagging procedure

A red insert at the beginning of this instruction handbook schematically shows the locking and tagging procedure described below. If you wish, you can detach this insert and display it close to the machine to remind maintenance personnel of the safety instructions.

| | | |
|---|---|--|
| 1 |  | <p>Always respect items 2, 3 and 4 carefully before doing any repair or maintenance work on the machine.</p> |
|---|---|--|

| | | | | |
|------------|---|---|--|---|
| <h1>2</h1> |  | <p>Put the main switch to Off and lock the handle with a padlock in one of the three holes provided for this purpose.</p> |  | <p>Close the stop valves for the other supplies (steam, gas, thermal fluid, compressed air) to stop and lock their handle with a padlock.</p> |
| <h1>3</h1> |  | <p>Open the fixed protectors (casings, doors) with the key provided or a special tool.</p> |  | <p>Do the maintenance.</p> |
| <h1>4</h1> |  | <p>Close and carefully lock the fixed protectors.</p> | | |
| <h1>5</h1> |  |  | | <p>Unlock the stop valves and the main switch.</p> |

4 Handling



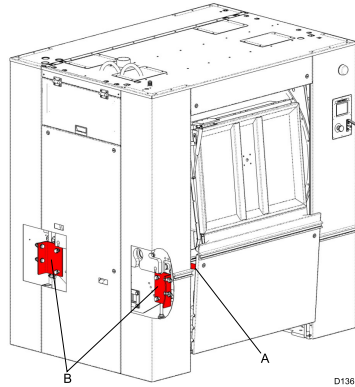
Important



It is obligatory that all these operations are undertaken by handling specialists.

Before any handling, check that the four transport locks fitted are still in place and well-tightened.

To do so, remove the side casings and check presence of four locks (B) and the down casings for the four locks (A).



Caution



To handle the machine, you must imperatively reassemble the transport bridles and dis engage the load cells (proceed in reverse order or "remove of the transport locks fitted")

4.1 Lifting with a fork-lift truck

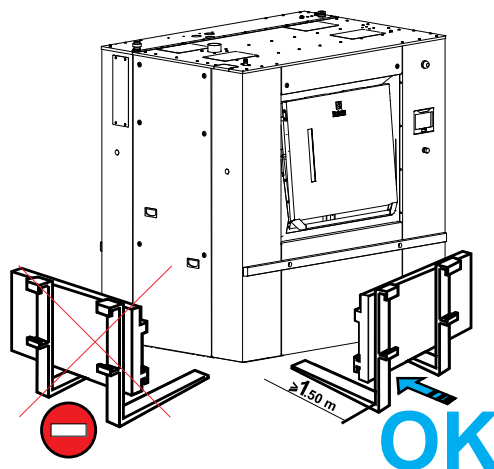


Warning



You should never handle the machine in its longitudinal side (any other than shown on the drawing below) with a fork-lift truck. Important risk of parts deterioration for those fixed under the machine.

This can be carried out from the front or back, and at the centre of the machine using forks with minimum length of 1.50 m (59")



4.2 Lifting with handlings straps

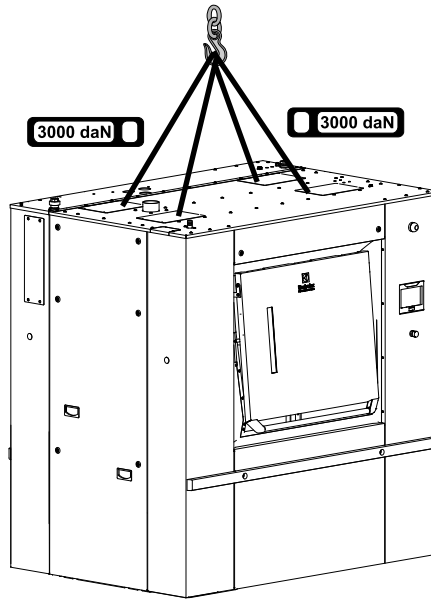
Lifting in that case can only be done with handling straps (minimum capacity 3000 daN / 6600 lb) which bear weight of the machine.



Caution



Make sure to place the straps correctly to avoid any bending of parts of the machine.



Caution



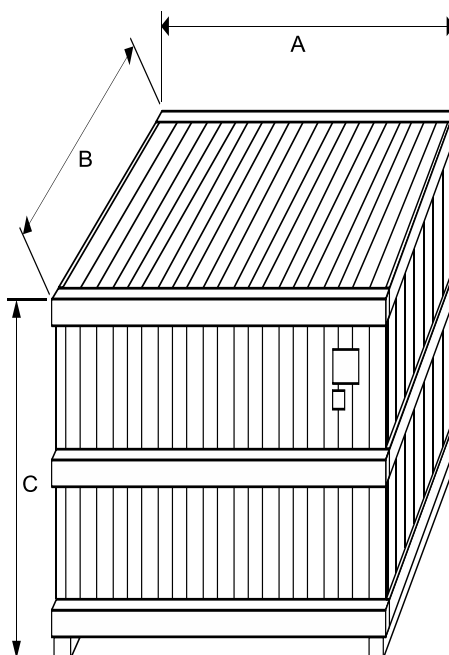
In order to avoid any bending of casings, you should never climb and stand on top of the machine.



5 Packing-Weight

5.1 Packing

| Packing dimensions in mm/in | Size A | Size B | Size C |
|-------------------------------|------------|------------|------------|
| Washer extractor type WB6 70 | 1710 / 68" | 1710 / 68" | 2330 / 92" |
| Washer extractor type WB6 90 | 1710 / 68" | 1970 / 78" | 2330 / 92" |
| Washer extractor type WB6 110 | 1710 / 68" | 2180 / 86" | 2330 / 92" |



5.2 Weight

| Weight in kg/lb (machine + crate)* | Electrical heating | Steam/ Thermal fluid heating |
|------------------------------------|--------------------|------------------------------|
| Washer extractor type WB6 70 | 2900 / 6395 | 2900 / 6395 |
| Washer extractor type WB6 90 | 3100 / 6836 | 3100 / 6836 |
| Washer extractor type WB6 110 | 3280 / 7233 | 3280 / 7233 |

* Precise weight depends on accessories fitted.

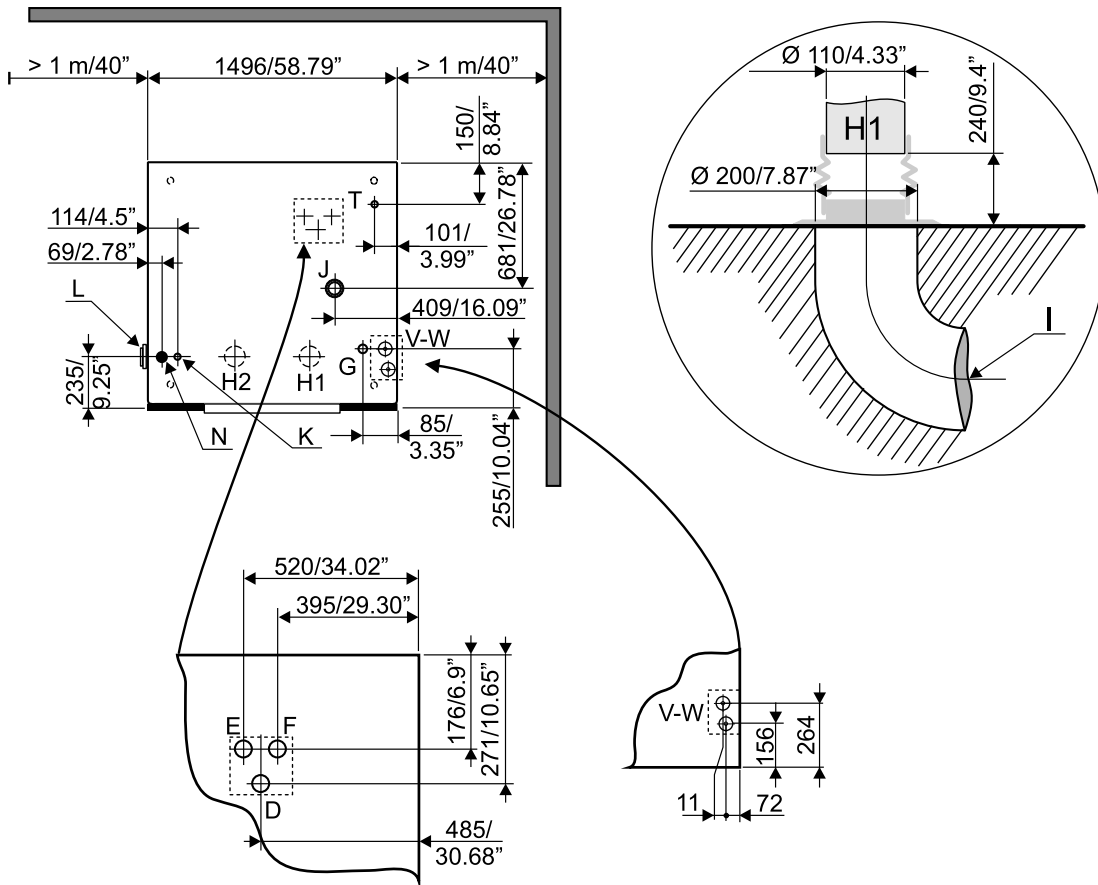
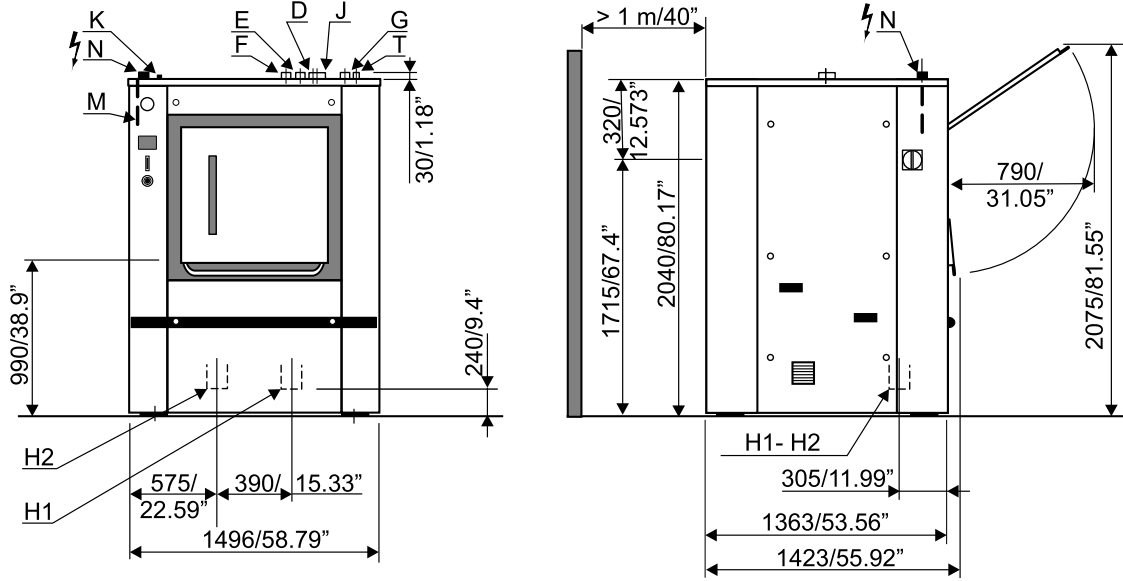
6 Technical characteristics

6.1 Explanation of following installation drawings

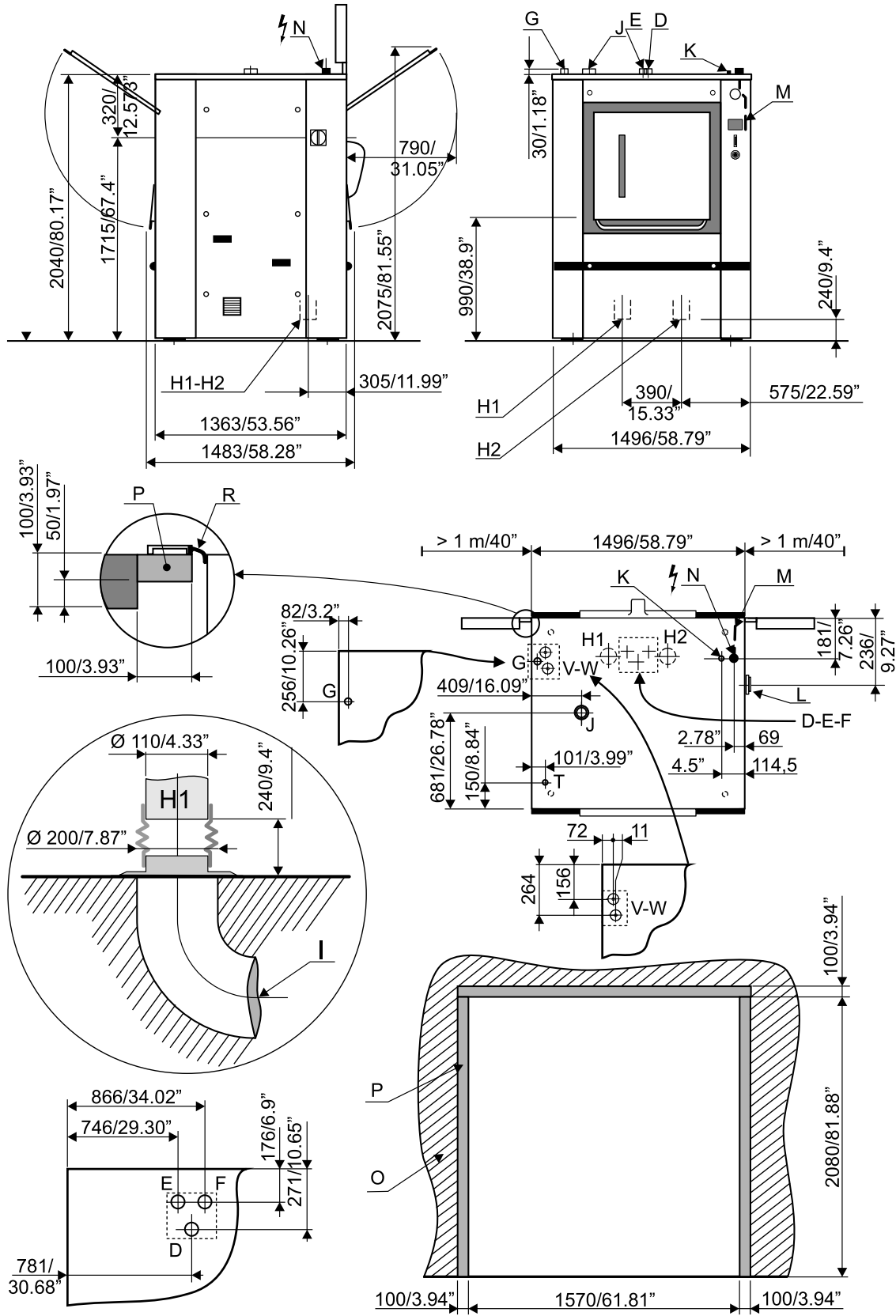
| Letter | Description |
|--------|-----------------------------------|
| D | Hot water connection |
| E | Cold hard water connection |
| F | Cold soft water connection |
| G | Steam inlet |
| H1 | 1st drain connection |
| H2 | 2nd drain connection |
| I | Waste water collector |
| J | Air vent hole |
| K | Compressed air inlet |
| L | Main switch to connect main cable |
| M | Electric cable |
| N | Stuffing box for main cable |
| O | Barrier partition |
| P | Frame |
| R | Aseptic seal |
| T | Liquid detergents connection |
| V | Thermic fluid inlet |
| W | Thermic fluid return |

6.2 Washer extractor type WB6 70

One door WB 6 70: Drawing 07100158



Barrier WB6 70: Drawing 07100157



| Washer extractor type WB6 70 (Diagram N° 07100157 and 07100158) | | | |
|---|--------|---------------|---------------|
| | Units | One door | Barrier |
| Drum diameter | mm / " | 1050 / 41.33" | 1050 / 41.33" |
| Drum length | mm / " | 794 / 31.26" | 794 / 31.26" |
| Drum volume | litre | 685 | 685 |

| | | | |
|--|----------------|--------------------------------|---------|
| Opening inner drum doors (LxH) | mm | 670*490 | 670x490 |
| Opening outer drum door (LxH) | mm | 728*698 | 728*698 |
| G-factor, max. | | 300 | 300 |
| Specific load 1/10 ' ISO 93 98-4 standard type C | kg / lb | 68.5 / 151.52 | |
| Floor area | m ² | 2.04 | 2.04 |
| Max. unbalance | kg | 15 | 15 |
| Net weight | daN | 2530* | 2530* |
| Weight loaded (high level) | daN | 3010 | 3010 |
| Water volume, washing (low level) | l | 185 | 185 |
| Water volume, washing (high level) | l | 370 | 370 |
| Heat loss | | 3 % of installed heating power | |

* Precise weight depends on accessories fitted.

6.3 Connections WB6 70 :

| Water | Units | One door | Barrier |
|---|--------|-----------------|----------------|
| Water valves connection | mm-BSP | DN32–1"1/4" | DN32–1"1/4" |
| Capacity at 250 kPa | l/min | 200 | 200 |
| Functioning limits for water valve | kPa | 50–300 | 50–300 |
| Water consumption for a wash program ¹ | l | 990 | 990 |

| Drain | Units | One door | Barrier |
|---|-------|-----------------|----------------|
| Drain connection, outer \varnothing (H1 on drawings) | mm | 110 | 110 |
| Double drain connection (option) outer \varnothing (H2 on drawings) | mm | 110 | 110 |
| Maximum drain flow rate | l/min | 380 | 380 |
| Waste water collector | DN-mm | 200 | 200 |

| Air vent | Units | One door | Barrier |
|--|-------|-----------------|----------------|
| Air vent connection, outer \varnothing | mm | 80 | 80 |

| Liquid detergents | Units | One door | Barrier |
|---|-------|-----------------|----------------|
| Liquid detergents connection, outer \varnothing | mm | 25 | 25 |

| Steam | Units | One door | Barrier |
|---|---------------|-----------------|----------------|
| Steam inlet, standard | mm-BSP | DN25–1" | DN25–1" |
| Steam inlet, low pressure | mm-BSP | DN32–1"1/4" | DN32–1"1/4" |
| Recommended steam pressure | kPa | 300–600 | 300–600 |
| Recommended steam pressure (low pressure heating) | kPa | less than 50 | less than 50 |
| Functioning limits for steam valve (not for low pressure) | kPa | 100–600 | 100–600 |
| Steam instantaneous flow rate at 600 kPa | kg/h | 240 | 240 |
| Steam consumption for a normal cycle ¹ ISO 93 98–4 standard type C | kg at 600 kPa | 24 | 24 |
| Steam consumption for a normal cycle ¹ ISO 93 98–4 standard type C | kg at 50 kPa | 26.5 | 26.5 |

| Indirect steam | Units | One door | Barrier |
|--|--------|-----------------|----------------|
| Thermic fluid inlet or indirect steam heating | mm-BSP | DN20–3/4" | DN20–3/4" |
| Thermic fluid return or indirect steam heating | mm-BSP | DN20–3/4" | DN20–3/4" |
| Maximum supply pressure | kPa | 400 | 400 |
| Inner volume thermic fluid | l | 8 | 8 |

1. ISO 93 98–4 standard type C.

| Electricity | Units | One door | Barrier |
|--|-----------------|------------------------------------|----------------|
| Supply voltage | V | 380/415 | 380/415 |
| Frequency | Hz | 50/60 | 50/60 |
| Electric cable (section) | mm ² | See chapter "Feeder cable section" | |
| Rated electric power, electric heating | kW | 65.7 | 65.7 |
| Rated electric power, steam heating / indirect steam heating | kW | 11.7 | 11.7 |

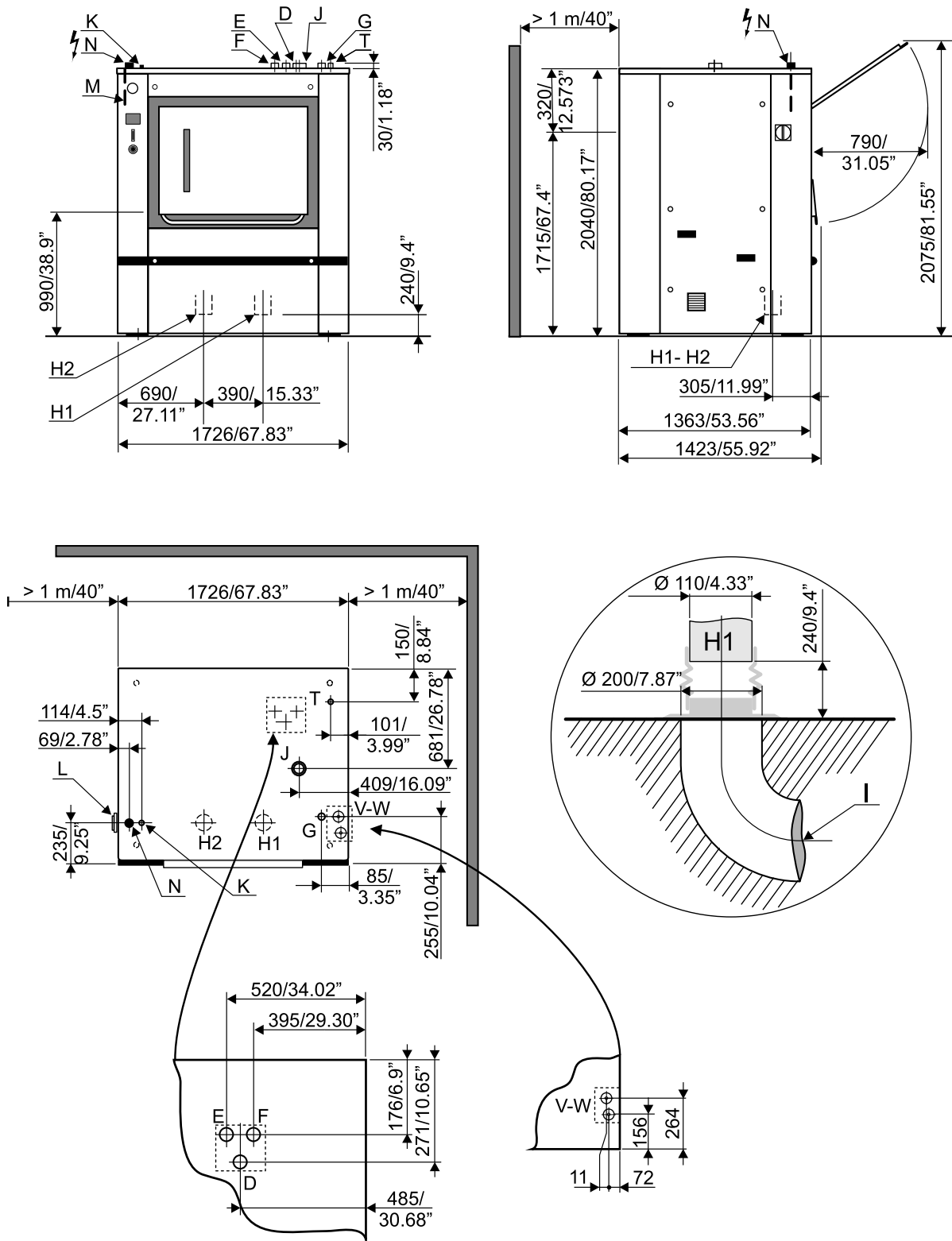
| Heating | Units | One door | Barrier |
|---|-------|-----------------|----------------|
| Installed heating power, electric heating | kW | 54 | 54 |
| Electric consumption for a standardized cycle, electric heating | kWh | 17.8 | 17.8 |
| Electric consumption for a standardized cycle, steam heating | kWh | 1.8 | 1.8 |

| Floor load | Units | One door | Barrier |
|------------------------------------|-------|-----------------|----------------|
| Max transmitted floor load | daN | 3600 | 3600 |
| Max. pressure transmitted to floor | kPa | 144 | 144 |

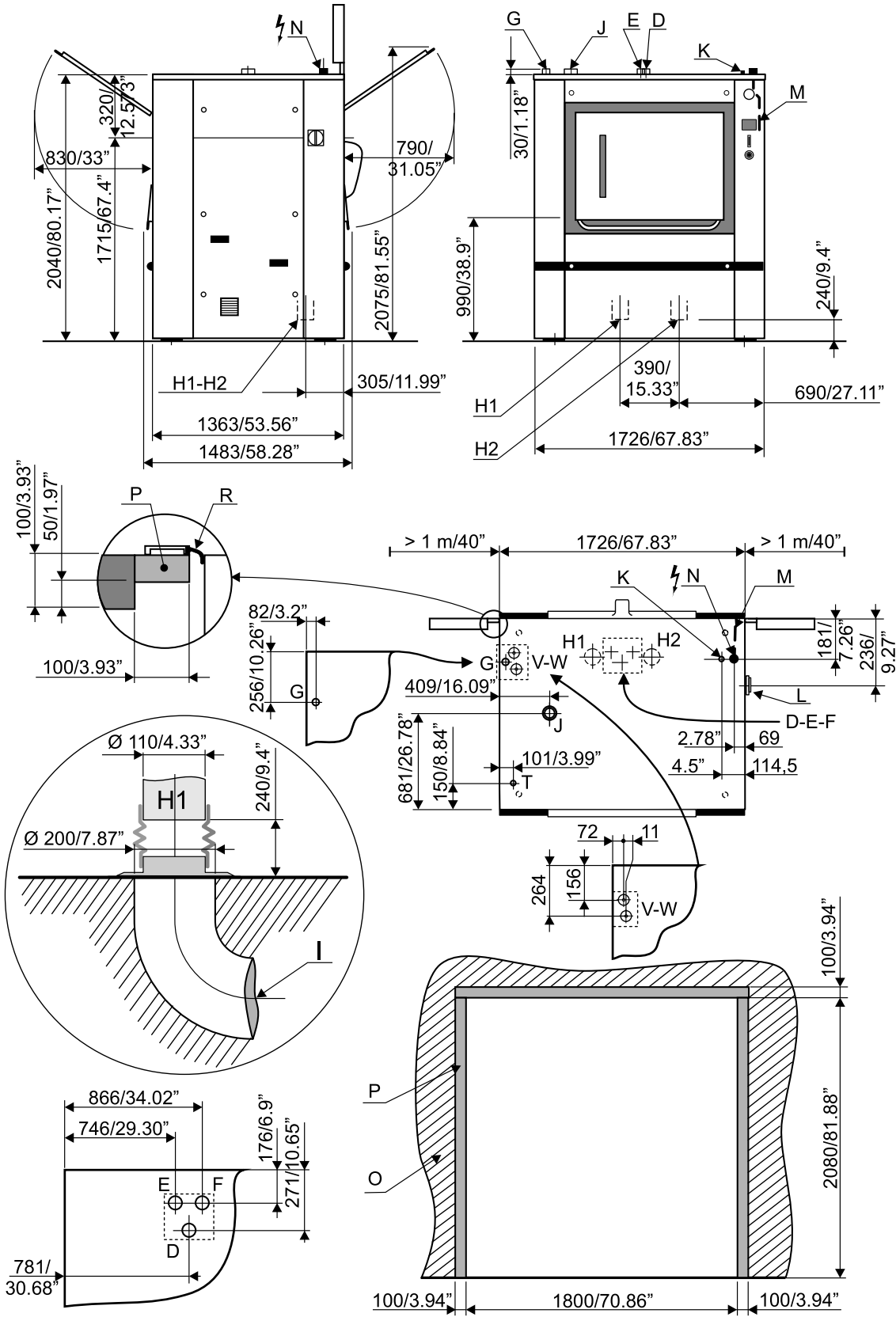
| Compressed air | Units | One door | Barrier |
|---------------------------------|-------|-----------------|----------------|
| Compressed air inlet | mm | 6/8 | 6/8 |
| Min./max. compress air pressure | bar | 5.5/7 | 5.5/7 |
| Consumption | l/h | 50 | 50 |

6.4 Washer extractor type WB6 90

One door WB6 90: Drawing 07100160



Barrier WB6 90: Drawing 07100159



Washer extractor type WB6 90 (Diagram N° 07100159 and 07100160)

| | Units | One door | Barrier |
|---------------|--------|---------------|---------------|
| Drum diameter | mm / " | 1050 / 41.33" | 1050 / 41.33" |
| Drum length | mm / " | 1026 / 40.39" | 1026 / 40.39" |
| Drum volume | litre | 885 | 885 |

| | | | |
|--|----------------|--------------------------------|---------|
| Opening inner drum doors (LxH) | mm | 900*490 | 900x490 |
| Opening outer drum door (LxH) | mm | 958*698 | 958*698 |
| G-factor, max. | | 300 | 300 |
| Specific load 1/10 ' ISO 93 98-4 standard type C | kg / lb | 88.5 / 195.2 | |
| Floor area | m ² | 2.35 | 2.35 |
| Max. unbalance | kg | 15 | 15 |
| Net weight | daN | 2725* | 2725* |
| Weight loaded (high level) | daN | 3345 | 3345 |
| Water volume, washing (low level) | l | 220 | 220 |
| Water volume, washing (high level) | l | 440 | 440 |
| Heat loss | | 3 % of installed heating power | |

* Precise weight depends on accessories fitted.

6.5 Connections WB6 90 :

| Water | Units | One door | Barrier |
|---|--------|-----------------|----------------|
| Water valves connection | mm-BSP | DN32-1"1/4" | DN32-1"1/4" |
| Capacity at 250 kPa | l/min | 200 | 200 |
| Functioning limits for water valve | kPa | 50-300 | 50-300 |
| Water consumption for a wash program ² | l | 1190 | 1190 |

| Drain | Units | One door | Barrier |
|---|-------|-----------------|----------------|
| Drain connection, outer \varnothing (H1 on drawings) | mm | 110 | 110 |
| Double drain connection (option) outer \varnothing (H2 on drawings) | mm | 110 | 110 |
| Maximum drain flow rate | l/min | 380 | 380 |
| Waste water collector | DN-mm | 200 | 200 |

| Air vent | Units | One door | Barrier |
|--|-------|-----------------|----------------|
| Air vent connection, outer \varnothing | mm | 80 | 80 |

| Liquid detergents | Units | One door | Barrier |
|---|-------|-----------------|----------------|
| Liquid detergents connection, outer \varnothing | mm | 25 | 25 |

| Steam | Units | One door | Barrier |
|---|---------------|-----------------|----------------|
| Steam inlet, standard | mm-BSP | DN25-1" | DN25-1" |
| Steam inlet, low pressure | mm-BSP | DN32-1"1/4" | DN32-1"1/4" |
| Recommended steam pressure | kPa | 300-600 | 300-600 |
| Recommended steam pressure (low pressure heating) | kPa | less than 50 | less than 50 |
| Functioning limits for steam valve (not for low pressure) | kPa | 100-600 | 100-600 |
| Steam instantaneous flow rate at 600 kPa | kg/h | 240 | 240 |
| Steam consumption for a normal cycle ¹ ISO 93 98-4 standard type C | kg at 600 kPa | 32 | 32 |
| Steam consumption for a normal cycle ¹ ISO 93 98-4 standard type C | kg at 50 kPa | 35 | 35 |

| Indirect steam | Units | One door | Barrier |
|--|--------|-----------------|----------------|
| Thermic fluid inlet or indirect steam heating | mm-BSP | DN20-3/4" | DN20-3/4" |
| Thermic fluid return or indirect steam heating | mm-BSP | DN20-3/4" | DN20-3/4" |
| Maximum supply pressure | kPa | 400 | 400 |
| Inner volume thermic fluid | l | 9 | 9 |

2. ISO 93 98-4 standard type C.

| Electricity | Units | One door | Barrier |
|--|-----------------|------------------------------------|----------------|
| Supply voltage | V | 380/415 | 380/415 |
| Frequency | Hz | 50/60 | 50/60 |
| Electric cable (section) | mm ² | See chapter "Feeder cable section" | |
| Rated electric power, electric heating | kW | 87.7 | 87.7 |
| Rated electric power, steam heating / indirect steam heating | kW | 15.7 | 15.7 |

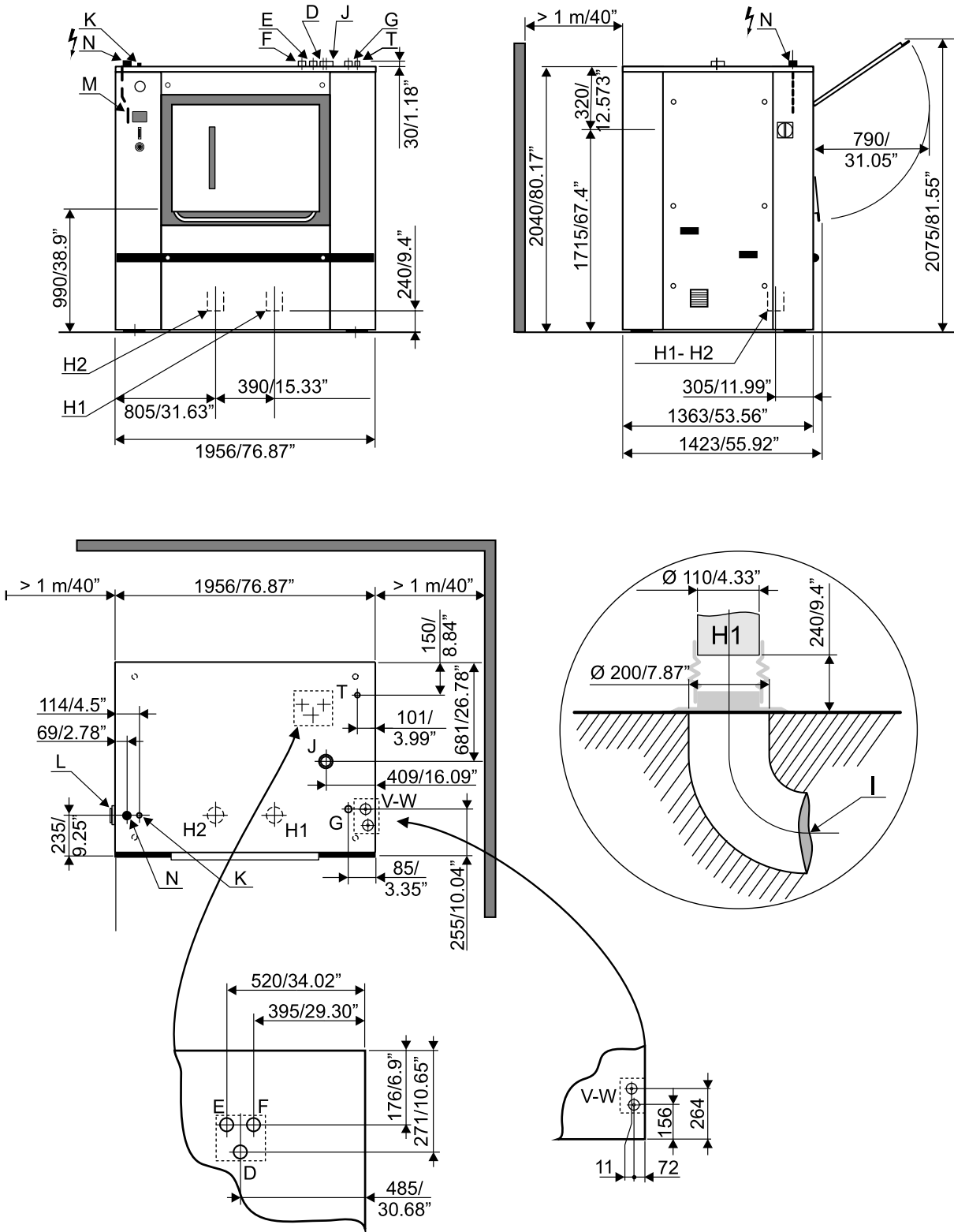
| Heating | Units | One door | Barrier |
|---|-------|-----------------|----------------|
| Installed heating power, electric heating | kW | 72 | 72 |
| Electric consumption for a standardized cycle, electric heating | kWh | 24.3 | 24.3 |
| Electric consumption for a standardized cycle, steam heating | kWh | 2.3 | 2.3 |

| Floor load | Units | One door | Barrier |
|------------------------------------|-------|-----------------|----------------|
| Max transmitted floor load | daN | 4100 | 4100 |
| Max. pressure transmitted to floor | kPa | 164 | 164 |

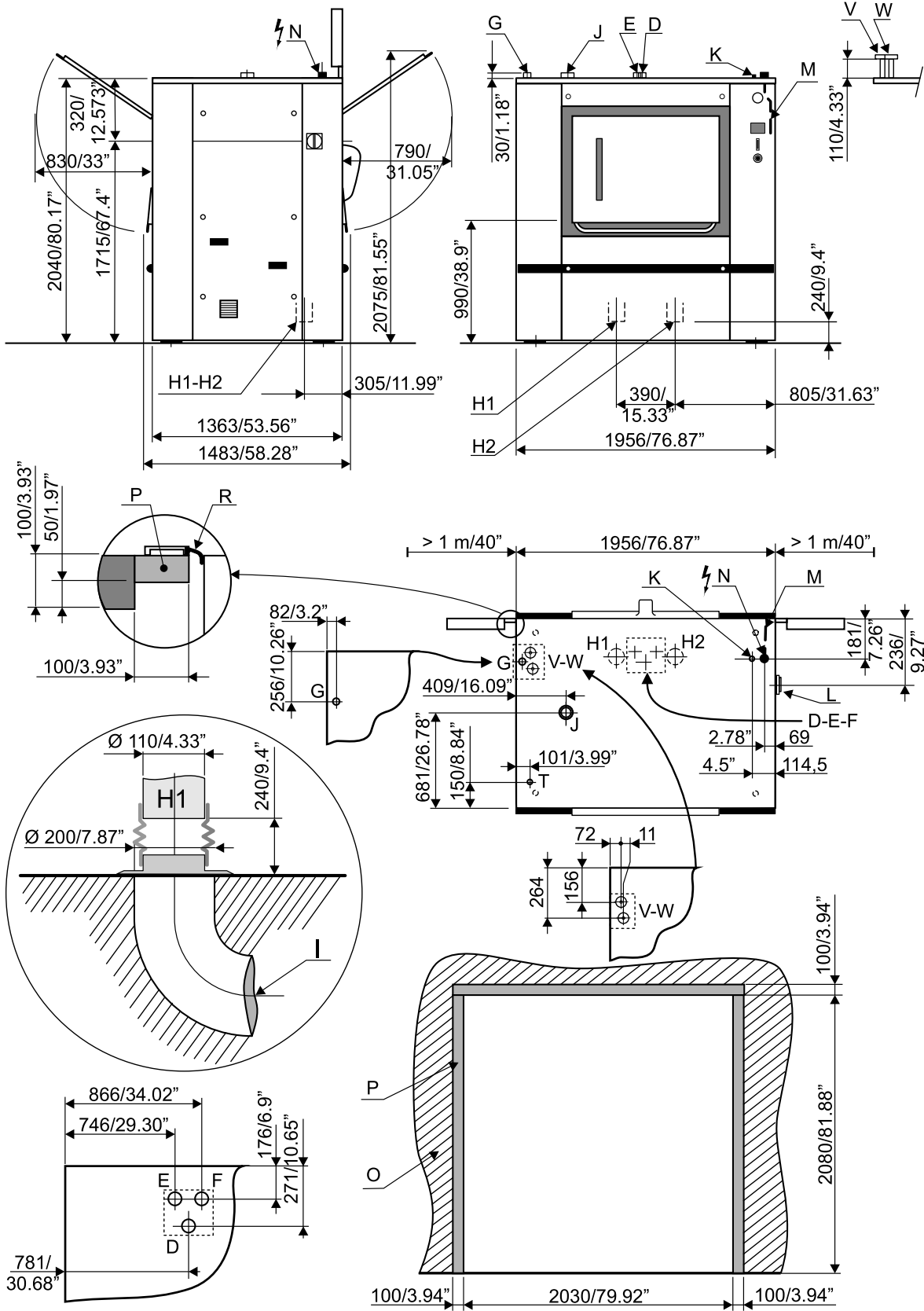
| Compressed air | Units | One door | Barrier |
|---------------------------------|-------|-----------------|----------------|
| Compressed air inlet | mm | 6/8 | 6/8 |
| Min./max. compress air pressure | bar | 5.5/7 | 5.5/7 |
| Consumption | l/h | 50 | 50 |

6.6 Washer extractor type WB6 110

One door WB6 110: Drawing 07100162



Barrier WB6 110: Drawing 07100161



| Washer extractor type WB6 110 (Diagram N° 07100161 and 07100162) | | | |
|--|--------|---------------|---------------|
| | Units | One door | Barrier |
| Drum diameter | mm / " | 1050 / 41.33" | 1050 / 41.33" |
| Drum length | mm / " | 1256 / 49.45" | 1256 / 49.45" |

| | | | |
|---|----------------|--------------------------------|---------|
| Drum volume | litre | 1083 | 1083 |
| Opening inner drum doors (LxH) | mm | 900*490 | 900x490 |
| Opening outer drum door (LxH) | mm | 958*698 | 958x698 |
| G-factor, max. | | 300 | 300 |
| Specific load 1/10 ¹ ISO 93 98–4 standard type C | kg / lb | 108.3 / 238.87 | |
| Floor area | m ² | 2.67 | 2.67 |
| Max. unbalance | kg | 15 | 15 |
| Net weight | daN | 2850* | 2850* |
| Weight loaded (high level) | daN | 3608 | 3608 |
| Water volume, washing (low level) | l | 300 | 300 |
| Water volume, washing (high level) | l | 600 | 600 |
| Heat loss | | 3 % of installed heating power | |

* Precise weight depends on accessories fitted.

6.7 Connections WB6 110 :

| Water | Units | One door | Barrier |
|---|--------|-----------------|----------------|
| Water valves connection | mm-BSP | DN32–1"1/4" | DN32–1"1/4" |
| Capacity at 250 kPa | l/min | 200 | 200 |
| Functioning limits for water valve | kPa | 50–300 | 50–300 |
| Water consumption for a wash program ³ | l | 1490 | 1490 |

| Drain | Units | One door | Barrier |
|---|-------|-----------------|----------------|
| Drain connection, outer \varnothing (H1 on drawings) | mm | 110 | 110 |
| Double drain connection (option) outer \varnothing (H2 on drawings) | mm | 110 | 110 |
| Maximum drain flow rate | l/min | 380 | 380 |
| Waste water collector | DN-mm | 200 | 200 |

| Air vent | Units | One door | Barrier |
|--|-------|-----------------|----------------|
| Air vent connection, outer \varnothing | mm | 80 | 80 |

| Liquid detergents | Units | One door | Barrier |
|---|-------|-----------------|----------------|
| Liquid detergents connection, outer \varnothing | mm | 25 | 25 |

| Steam | Units | One door | Barrier |
|---|---------------|-----------------|----------------|
| Steam inlet, standard | mm-BSP | DN25–1" | DN25–1" |
| Steam inlet, low pressure | mm-BSP | DN32–1"1/4" | DN32–1"1/4" |
| Recommended steam pressure | kPa | 300–600 | 300–600 |
| Recommended steam pressure (low pressure heating) | kPa | less than 50 | less than 50 |
| Functioning limits for steam valve (not for low pressure) | kPa | 100–600 | 100–600 |
| Steam instantaneous flow rate at 600 kPa | kg/h | 240 | 240 |
| Steam consumption for a normal cycle ¹ ISO 93 98–4 standard type C | kg at 600 kPa | 36 | 36 |
| Steam consumption for a normal cycle ¹ ISO 93 98–4 standard type C | kg at 50 kPa | 39 | 39 |

| Indirect steam | Units | One door | Barrier |
|--|--------|-----------------|----------------|
| Thermic fluid inlet or indirect steam heating | mm-BSP | DN20–3/4" | DN20–3/4" |
| Thermic fluid return or indirect steam heating | mm-BSP | DN20–3/4" | DN20–3/4" |
| Maximum supply pressure | kPa | 400 | 400 |
| Inner volume thermic fluid | l | 10 | 10 |

3. ISO 93 98–4 standard type C.

| Electricity | Units | One door | Barrier |
|--|-----------------|------------------------------------|----------------|
| Supply voltage | V | 380/415 | 380/415 |
| Frequency | Hz | 50/60 | 50/60 |
| Electric cable (section) | mm ² | See chapter "Feeder cable section" | |
| Rated electric power, electric heating | kW | 91 | 91 |
| Rated electric power, steam heating / indirect steam heating | kW | 19 | 19 |

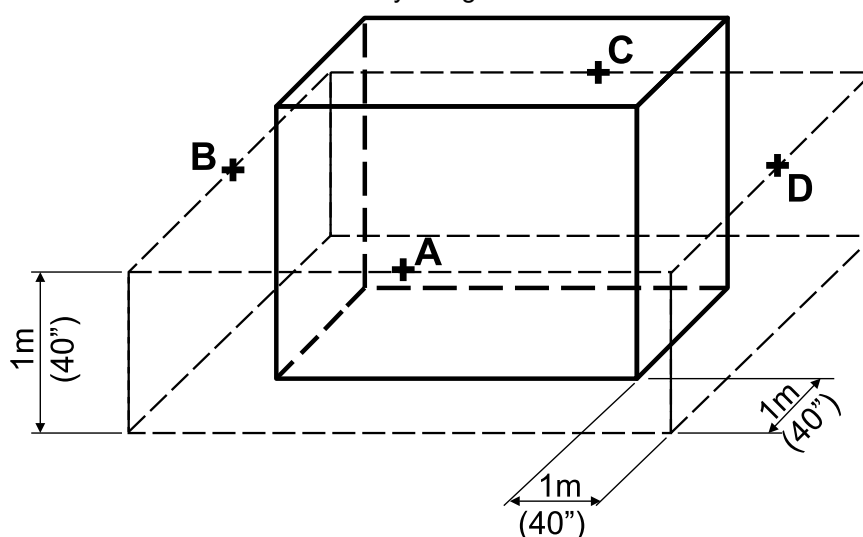
| Heating | Units | One door | Barrier |
|---|-------|----------|---------|
| Installed heating power, electric heating | kW | 72 | 72 |
| Electric consumption for a standardized cycle, electric heating | kWh | 25.3 | 25.3 |
| Electric consumption for a standardized cycle, steam heating | kWh | 2.4 | 2.4 |

| Floor load | Units | One door | Barrier |
|------------------------------------|-------|----------|---------|
| Max transmitted floor load | daN | 4450 | 4450 |
| Max. pressure transmitted to floor | kPa | 178 | 178 |

| Compressed air | Units | One door | Barrier |
|---------------------------------|-------|----------|---------|
| Compressed air inlet | mm | 6/8 | 6/8 |
| Min./max. compress air pressure | bar | 5.5/7 | 5.5/7 |
| Consumption | l/h | 50 | 50 |

7 Sound levels

The sound power level of the machine is determined by using ISO 3747:2012.



According to test code EN50571 : 2013 annex CC, the sound power level at extraction and during washing are according to the table:

Airborne noise emitted by the machine (values established from measurements made on machine at points A, B, C, and D)

| Weighted sound pressure level in dB (A) | Washer 700 (Without insulation) | | Washer 900 (Without insulation) | | Washer 1100 (Without insulation) | |
|---|---------------------------------|----------------------|---------------------------------|----------------------|----------------------------------|----------------------|
| | Washing | High spin extraction | Washing | High spin extraction | Washing | High spin extraction |
| A | 63.5 | 82.2 | 63.5 | 82 | 66 | 81.5 |
| B | 64 | 81.3 | 64.2 | 81 | 66 | 81.5 |
| C | 63 | 83.9 | 63.8 | 83 | 67 | 83 |
| D | 64 | 82.7 | 64.2 | 83 | 67 | 83 |

8 Working place lighting



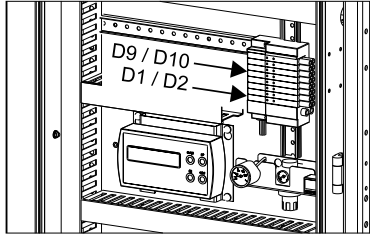
The lighting should be designed so as to avoid eye strain for the operator ; it should be uniform without any glare, and should be sufficient to detect any hazards.

The average lighting value on the working place recommended by the clothing industry for inspecting linen is **500 lux**.

Whenever possible, the working place should be illuminated by daylight.

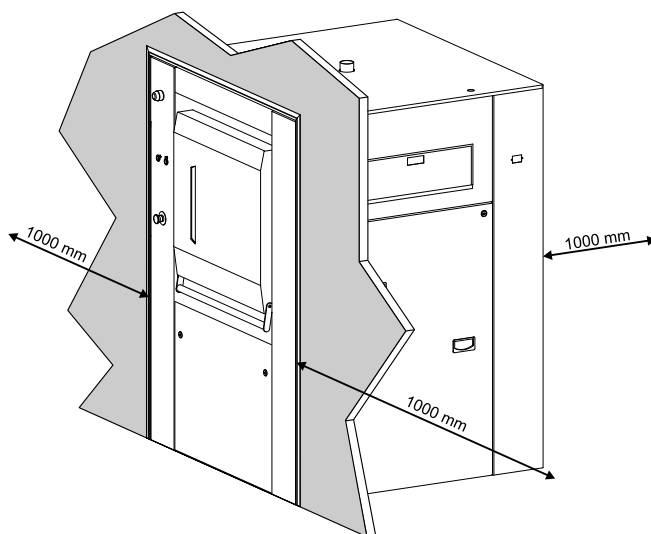
9 Supplies

Take the box placed inside of the inner drum.

| | |
|--|---|
|  <h3 style="margin: 0;">Important</h3>  <p>you must connect the compressed air to unlock the loading door. Then push on the orange button of the D9/D10 distribution unit in the electric cabinet. So you can access in the drum.</p> |  |
|--|---|

1. Accessories delivered with each machine
 - 1 instruction handbook + spare parts catalogue + 2 electrical schematics
 - 3 keys for casings
 - 2 or 3 stainless steel flexible pipes 3/4" + 4 or 6 fibre seals
 - 2 or 3 water filters 1"
 - 2 or 3 male nipples 1"
 - 1 connection bellow \varnothing 110 + 1 collar
 - 1 hose \varnothing 110 mm + 1 collar for drain
 - 1 connection nozzle
 - 4 fixing dowels
 - 4 bolsters + 4 wedges (see explanation for the setting)
2. Accessories delivered with each steam heating machine
 - 1 steam electrovalve
 - 1 steam flexible
 - 1 steam filter
 - 1 pipe union
3. Accessories delivered with each gas heating machine
 - 4 meters blue flexible pipes
 - 2 pipes \varnothing 125 mm (5"), length 500 mm (20") to be connect at the chimney
 - 1 T-square pipe \varnothing 125 mm (5") and an anti-bursting chimney regulator to be connected over the gas exchanger
 - 1 draught accelerator to extract the exhaust of burn gas, to be connected at the chimney (in 3 parts)
 - 4 collars \varnothing 40–60
4. Accessories delivered with each barrier washers
 - 1 rubber seal + aluminium extruded sections + 40 screws
 - 4 flange safety locks (machines with weighing equipment)
 - 1 opening inner drum lever (with manual opening door)

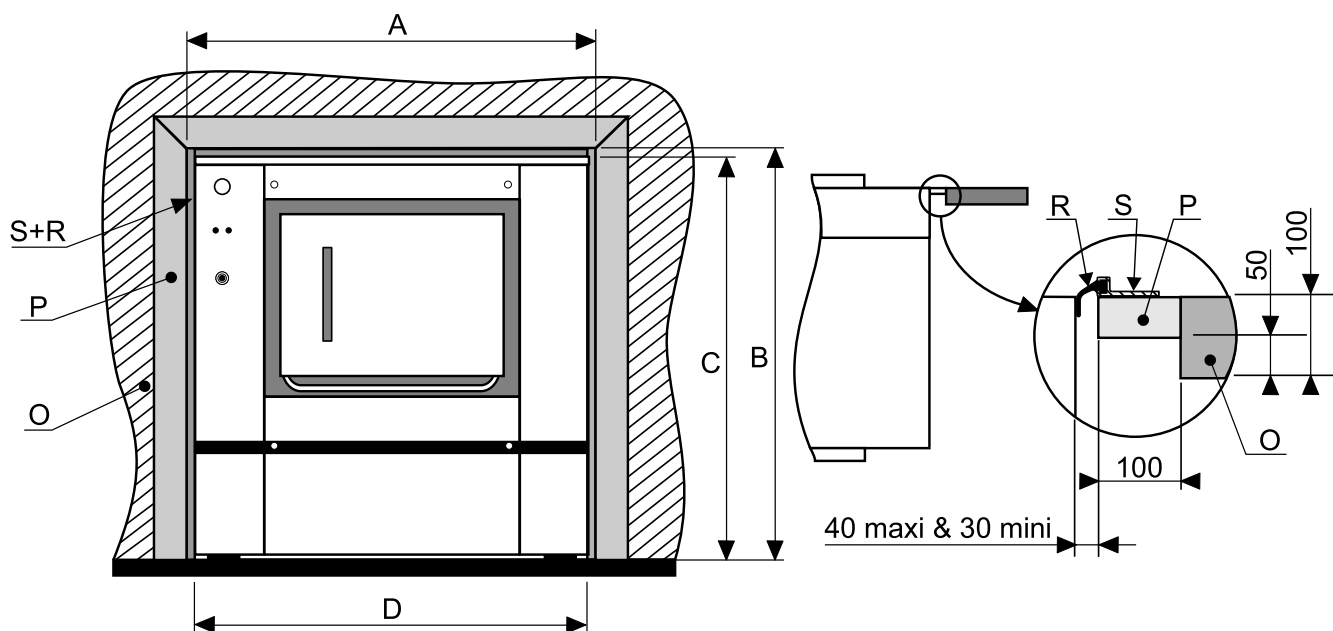
10 Barrier partition



Leave at least 1 m (40") (according to the recommendation in standard EN 60204) between the machine, a wall or any other machine at the sides.

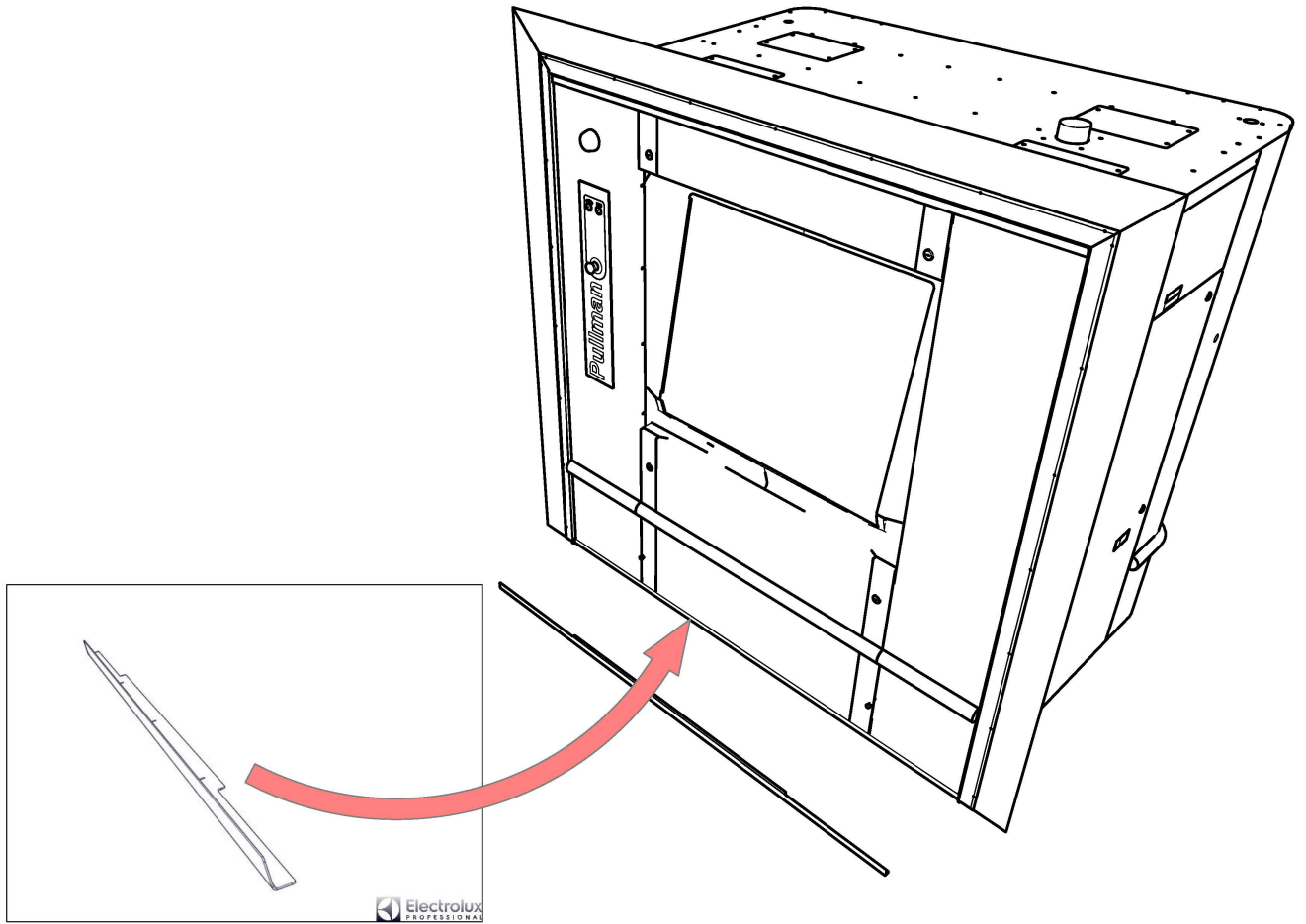
| mm/in | A | B | C | D |
|----------------|------|------|------|------|
| WB6-70 | 1570 | 2080 | 2040 | 1490 |
| WB6-90 | 1800 | 2080 | 2040 | 1720 |
| WB6-110 | 2030 | 2080 | 2040 | 1950 |

* Minimum 70 mm (2.76"), maximum 100 mm (4"),.



- The barrier partition (O) shall be built before the installation of the machine.
- Centre and align the washer-extractor with the frame (P) 60x100mm (2x4") maximum (provided by customer)..
- Place the rubber seal (R) inside the aluminium extruded section (S).
- Screw the aluminium extruded section (S) on the frame or on the optional plates (P).

Additional angle bar to be placed at the bottom of the machine.



11 Mechanical installation

Depending on its destination, the washer extractor is delivered bare or may be placed on a transport pallet and/or packed with plastic film.

In some cases, it may be delivered in a crate, or in maritime packing (wood box).

11.1 Unpacking

Take off the plastic film or remove the four wood socles with a spanner..

Please refer to the handling chapter in this instruction handbook for a description of handling operations.



Important



Check that no damage has been caused during transport.

11.2 Installation

The installation must be done by competent technicians in accordance with local codes and regulations. When there are not local codes and regulations, the installation **must be comply** with European standards applicable.

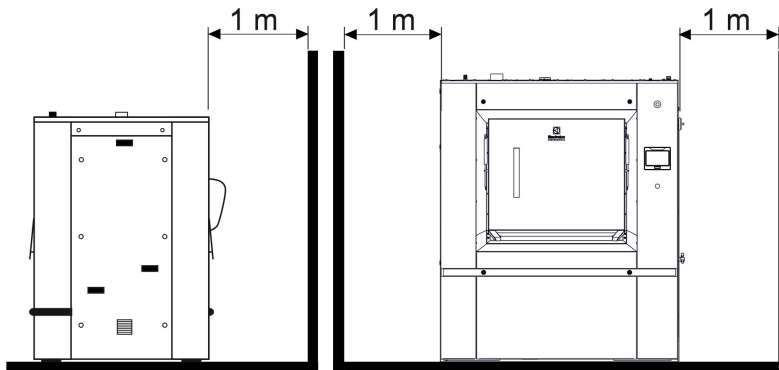
The machine must be installed on a perfectly even surface, strong and horizontal, capable resisting to the efforts shown in the technical characteristics.

Adjustment of the machine by addition of level plate should be avoided.

Control the horizontal level using a water level placed on the machine's sole.

Place the washer extractor so that it is easy for the user and the service technician to do their work.

Leave at least 1 m (40") (**according to the recommendation in standard EN 60204**) between the machine, a wall or any other machine at the sides.



11.3 Installing the shock absorber runners

Preparation of the ground and the machine.

- Carefully degrease the ground and the machine's base plates.

Positioning the shock absorber runners.

- Place each shock absorber runner (P) at its respective location (see diagram) raising each of the machine's support points in series and taking care to let the runner inside of the base plates.

Commissioning the machine

- Time: before commissioning the machine, each support point must be embedded by being crushed in by the runner's upper layer and the lower layer must have been pushed into the porosity in the ground. The crushing time is 2 hours at an ambient temperature of 18 °C.



Warning



Electrical safety device.

As rubber is a very good electric insulating material, the earthing of the machine is compulsory.

Moving machines sealed with the shock absorber runners

- Moving machines sealed with the shock absorber runners

11.4 Instructions for securing the machine on the ground



Caution



Only for machines without weighing equipment.

Place the machine on a perfectly even surface and horizontal.

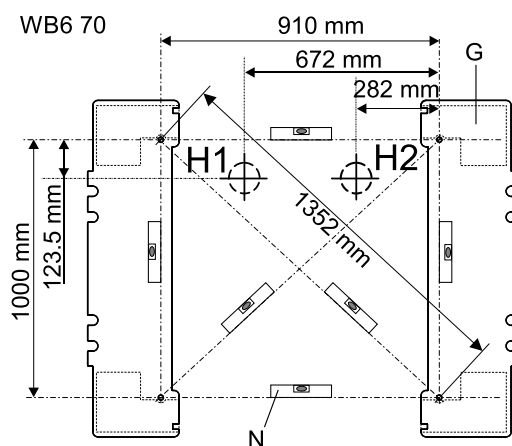
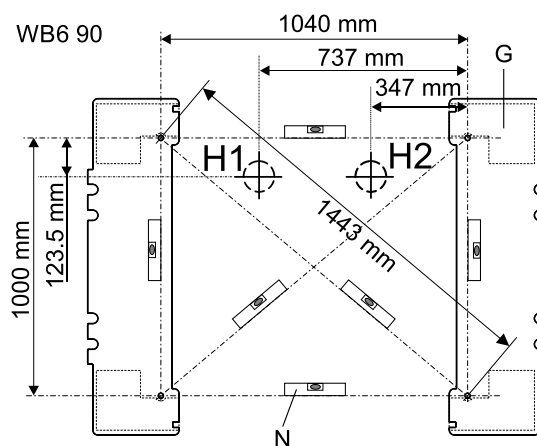
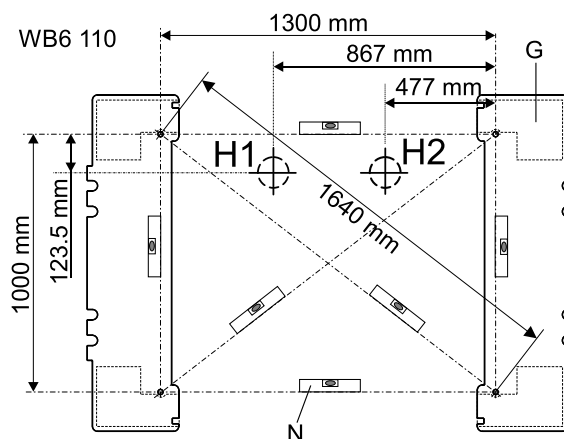
Control this using a water level (see drawing).

Each point must be level.

Note!

On the drawings , H1 and H2 are the position of the drain outlet for the barrier machine depending on the different model. (H1 one drain and H2 the second drain (option))

Installation manual



Mark out the drill holes for the securing dowels and drill them so as to insert the 4 dowels , they will secure the machine to the floor.

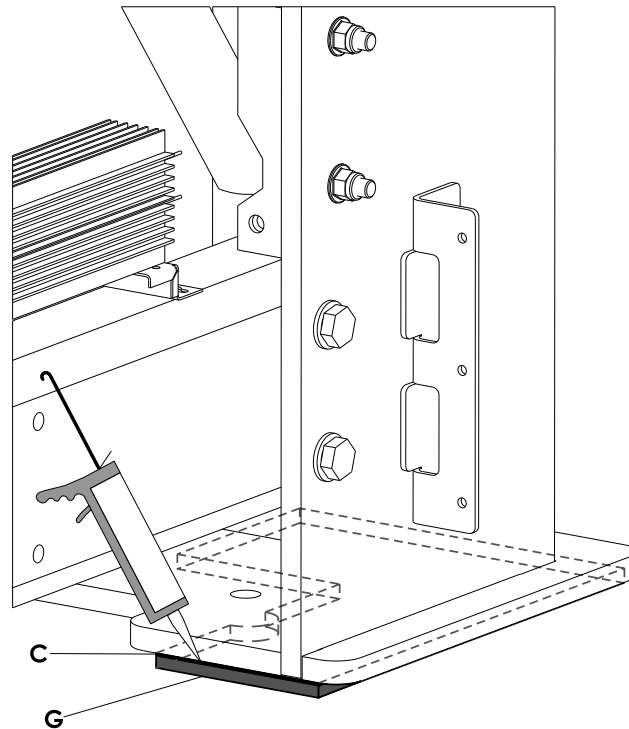
Put the machine in position and secure it with the dowels without tighten.

Bolsters: G

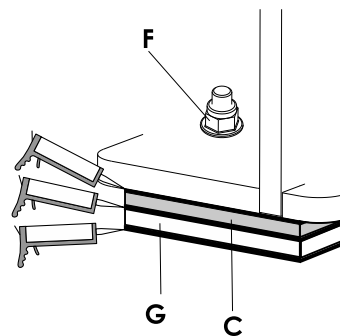
Water level: N

11.5 Setting the bolsters

Place each bolster (G) at its respective location (see drawing) and heave successively each bearing of the machine. Verify the levels and place if necessary the wedges (C) between the bolster and the soles to stabilize the machine. When the “trial “ stalling is realized, apply obligatory the glue (type SILICOMET) on every bolster face and under the soles of the machine (see drawing)



The indicated faces on the drawing must be aligned. Apply equally glue to each face of the used wedges. Put the machine in position and secure it with the bolts (F) **without tighten** .



Electrical safety device : As rubber is a very good electric insulating material, the earthing of the machine is mandatory.

To displace the machine sealed with bolsters : You must introduce a flat chisel between the ground and the bolsters by heaving the machine; you have to remove them and avoid to pull off the ground.

12 Remove of the transport locks fitted



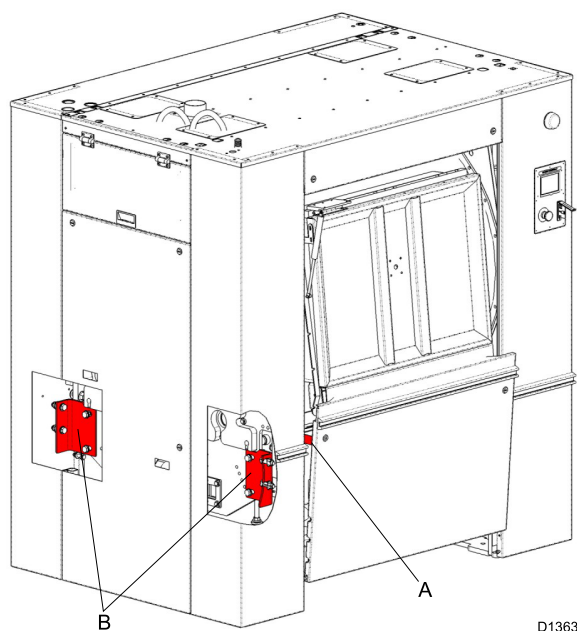
Important



Before putting the machine into service, it is compulsory to remove the 4 transport locks fitted.

To do so, remove the side casings, then the fixing screws of the transportation bridles (B), as well as the transportation bridle screws of the down casings (A).

Keep the transport locks fitted with their screws and bolts to be able to assemble them again in case you would need to lift the machine.



Important



Never handling the machine without the transportation bridles.

13 Drain connection

The machine's exhaust sleeve outside diameter is of 110 mm (4.33"). It is located underneath the machine.

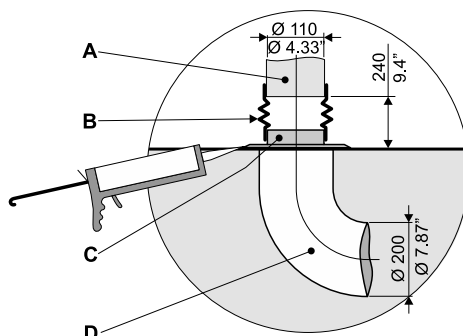
The waste water collector diameter 200 mm (7.87") (manufactured by customer) should have a 3 cm/m (3 %) slope and resist to a temperature of 90 °C (194 °F). It should be connected to the waste water general network in accordance with local codes and regulations.

Adapt and connect the machine's exhaust sleeve to the waste waters' collector (rubber bend and connection nozzle are supplied in the machine with collars).

Drawing of drain connection to waste waters' collector

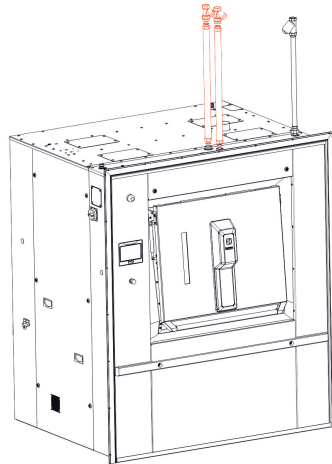
1. Connect the hose (B) to the connect nozzle (C).
2. Seal and fix the nozzle (C) using 2 screws.
3. Then connect the hose (B) to the drain's evacuation sleeve (A).

| | |
|----------|---------------------------|
| A | Drain's evacuation sleeve |
| B | Connection hose |
| C | Connection nozzle |
| D | Waste water collector |

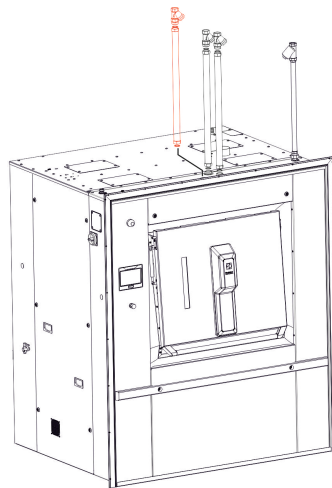


14 Waters connections

Washer extractors are assembled in standard execution with two waters inlet.



One hot water and one hard water. On option, a third water inlet (soft) is possible.



The supply pipes to the machine should be fitted with manual shut-off valves to facilitate installation and service. Fit filters to the manual shut-off valves with Teflon. Refer to local utilities regulations when fitting nonreturn valves. A screen at the entrance to the machine filter should be necessarily mounted, it must have a mesh size of 0.3 mm. Any malfunction of water solenoid or water pneumatic valves due to a absence or a poor maintenance of the filters will not be taken under warranty.



Caution



It is strictly forbidden to use the electrical control of the third water to drive any equipment. Only the pneumatic outlet can be used.

The following values apply to water pressure:

Water supply pressure, 50 kPa (7.25 psi) mini.

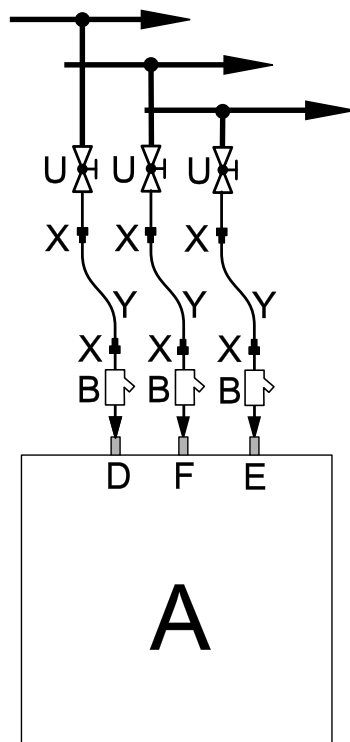
Water supply pressure, 300 kPa (43.5 psi) maxi.

The hoses should be flushed through before being connected to the machine.

The hereunder example sketch shows the connection of the machine to the different inlets.

- A** Washer-extractor
- E** Hard water inlet DN 32 (1"1/4 BSP female) only this one for Clean Room Option
- D** Hot water inlet DN 32 (1"1/4 BSP female) (T max 60° C)

| | |
|----------|--|
| F | Cold soft water inlet (option) DN 32 (1"1/4 BSP female) |
| U | Manual stop valve DN 32 (1"1/4 BSP) (provided by customer) |
| B | Water filter (provided) |
| X | Nipple DN 32 (1"1/4 BSP) (provided) |
| Y | Flexible pipe DN 32 (1"1/4 BSP) length : 80 cm (provided) |

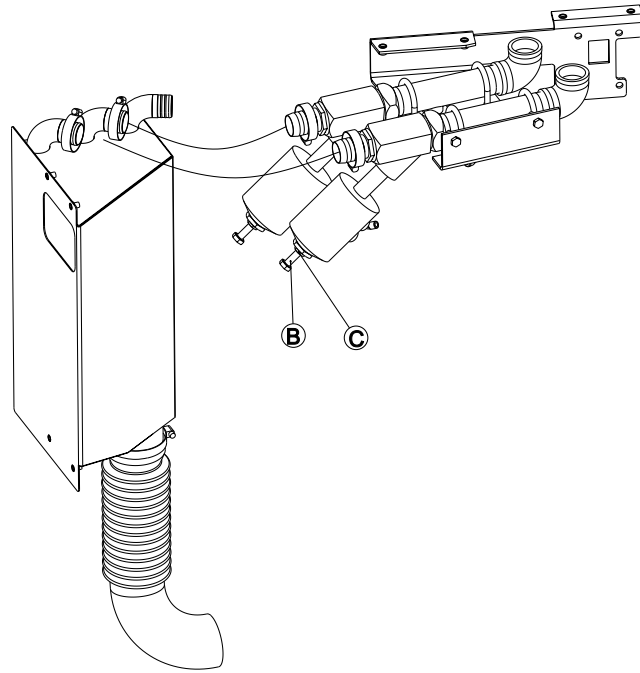


Adjustment of the water pressure (Kit 56000183)

The factory setting is 3 bar for the pressure.

You must adjust the electrovalves according to the water pressure of your network.

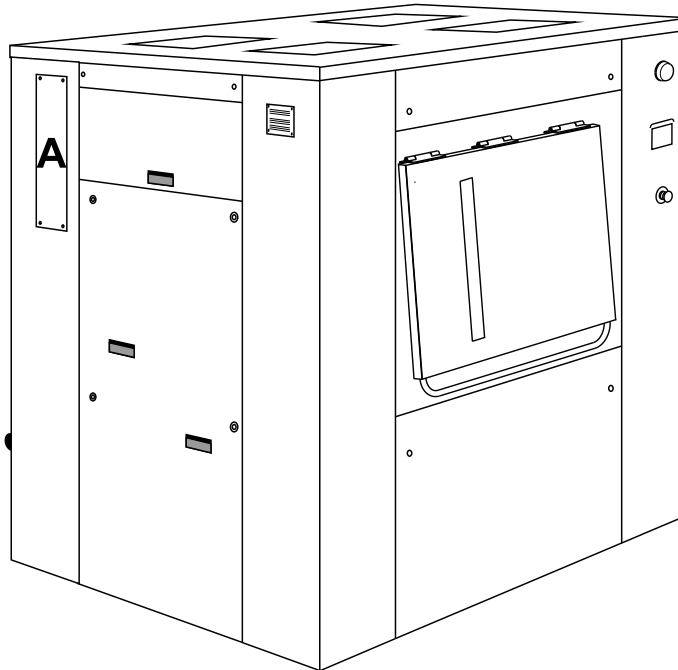
- Unscrew the nut (C) of each electrovalve and screw the screw (B) up to the end,
- For a 1 bar pressure, unscrews the screw (B) of 17 1/3 rounds (26 mm)
- For a 2 bars pressure, unscrews the screw (B) of 4 1/3 rounds (6 mm)
- For a 3 bars pressure, unscrews the screw (B) of 3 1/3 rounds (5 mm)
- For a 4 bars pressure, unscrews the screw (B) of 2 2/3 rounds (4 mm)
- For a 5 bars pressure, unscrews the screw (B) of 2 rounds (3 mm)
- For a 6 bars pressure, unscrews the screw (B) of 1 1/3 rounds (2 mm)
- Screw the nut (C) of each electrovalve.



According to the standard EN1717

The closing sheet (A) is normally mounted on the machine. If not, use the side sheet supplied with the machine (ref. 31105197 or ref. 31105124); this allows to reduce the water filling time.

If you must comply with the standard EN1717, remove this sheet and reduce the water pressure to limit the splashes by the side hole.



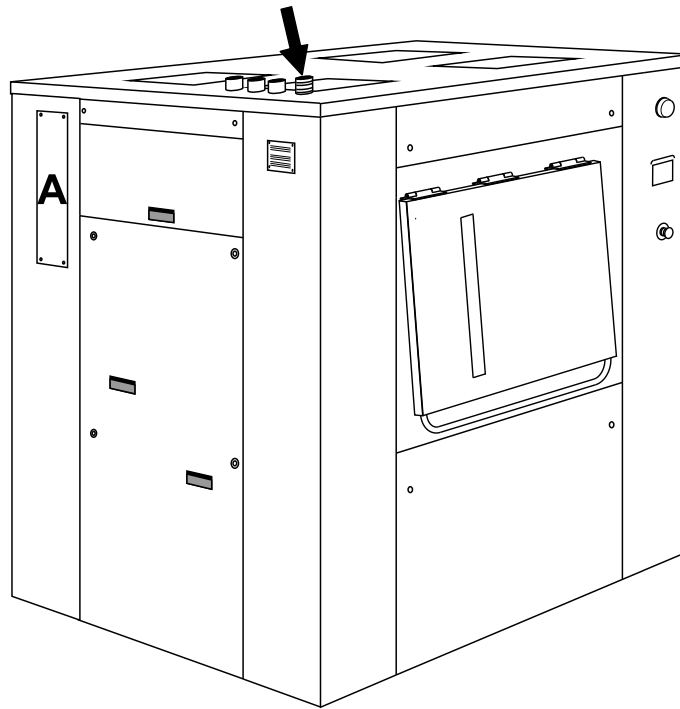
15 Liquid detergents connection

The machine is equipped with a connection for the use of external liquid detergents.

If you do not use the detergent box, please use the cap delivered with the machine in order to avoid vapour from steaming out through the opening of the bow downpipe.

Installing :

Open the door of the detergent box . Place the silicone cap in the hole of the bow downpipe.



Caution



In a view to avoid an overflowing risk, do not forget to remove the silicone cap if you use the detergent box.



Caution



Liquid detergents are particularly aggressive.
We advise you to use only products with pH lower than 9 in order to avoid the machine's rubbers from being attacked.
Dilute imperatively all of your detergents before letting them flow into the machine.



ADVISE IF USING LIQUID DETERGENTS

After use, there is always chemical remaining in the liquid detergents' dosing pipes.
When the machine is not running, this detergent may slowly drip and so, quickly corrode the parts in contact with.
In order to avoid (ex. corrosion of the drum or by bleach), we advise you to forecast a device to drain every night the distribution pipes of the liquid detergents.



Caution

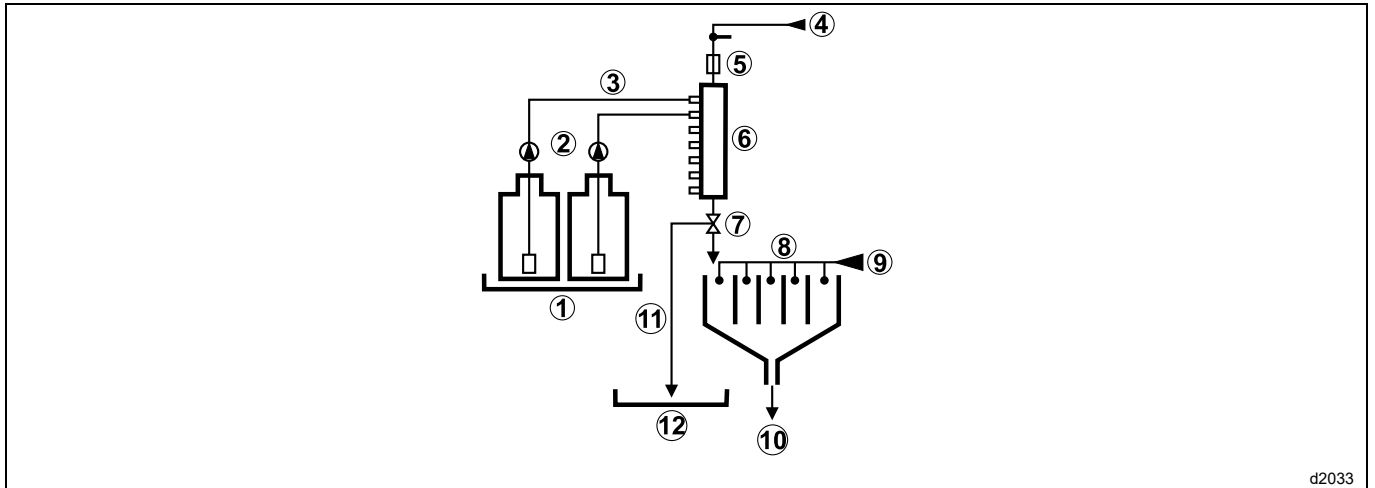


The running of detergents must be independent from the running of the machine.
The control information of detergents must imperatively be relayed.
It is imperative to use armoured wires for every connection in the electrical box.

15.1 Connection scheme of liquid detergents

We advise you to use one of the two systems shown hereby to connect your liquid detergents.
Single inlet dose controller with a compulsory rinsing device.

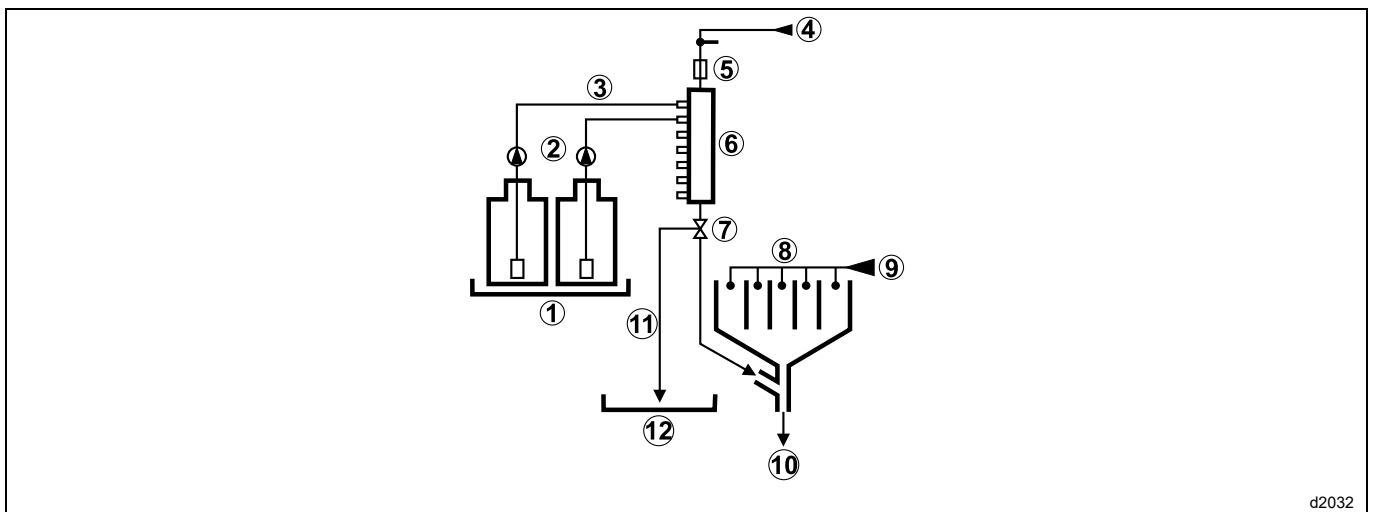
| | | | |
|---|-------------------------------|----|-----------------------|
| 1 | Retention tank | 7 | 3 way valve |
| 2 | Pump | 8 | Scoops + Rinsing |
| 3 | Liquid detergents | 9 | Water |
| 4 | Water | 10 | Washer extractor |
| 5 | Soap box rinsing electrovalve | 11 | Toward retention tank |
| 6 | Dose controller | 12 | Retention tank |



d2033

Multi-inlet dose controller with a compulsory rinsing device.

| | | | |
|---|-------------------------------|----|-----------------------|
| 1 | Retention tank | 7 | 3 way valve |
| 2 | Pump | 8 | Scoops + Rinsing |
| 3 | Liquid detergents | 9 | Water |
| 4 | Water | 10 | Washer extractor |
| 5 | Soap box rinsing electrovalve | 11 | Toward retention tank |
| 6 | Dose controller | 12 | Retention tank |



d2032

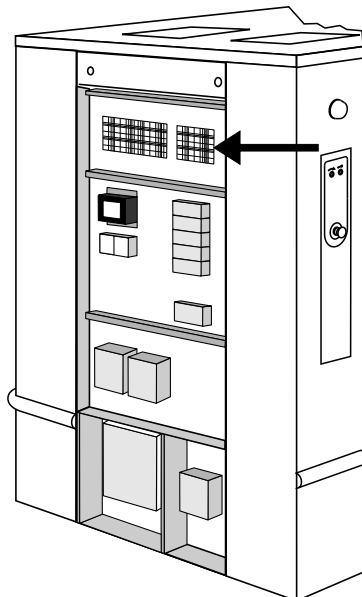
15.2 Electrical liquid detergents' connection



Electrical installation must be carried out by an authorized personnel.



The A8 output relay card allows to connect from 1 to 16 electrovalves of liquid detergents.
The card is situated on the up right side of the electric box.



Carry the connection cables by the partition crossing and the cable through of the machine.

To connect the wires on the J802 terminal block, introduce a screwdriver in the upper aperture to open the cable clamp.



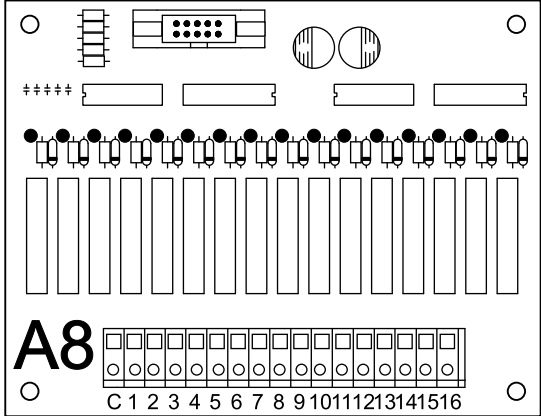
Caution



Be carefull, even machine power off, you can still have power on this board coming from detergent supplier.
Secure it also before intervention.

Connection on the A8 output relay card

| | |
|----|---------------------------------------|
| C | Common of signals |
| 1 | Signal 1 |
| 2 | Signal 2 |
| 3 | Signal 3 |
| 4 | Signal 4 |
| 5 | Signal 5 |
| 6 | Signal 6 |
| 7 | Signal 7 |
| 8 | Signal 8 |
| 9 | Signal 9 |
| 10 | Signal 10 |
| 11 | Signal 11 |
| 12 | Signal 12 |
| 13 | Signal 13 |
| 14 | Signal 14 (controlled by water level) |
| 15 | Signal 15 (controlled by water level) |
| 16 | Signal 16 (reserved) |



The diagram shows the A8 output relay card with various components and terminals. At the top, there are two circular components, a central component with six dots, and a terminal block with five terminals labeled '*****'. Below this is a row of 16 terminals, each with a black dot above it. Underneath the terminals are 16 vertical slots. At the bottom, there is a large 'A8' label and a terminal block with 16 terminals labeled 'C 1 2 3 4 5 6 7 8 9 10 11 12 13 14 15 16'. The card has two circular mounting holes on the left and right sides.

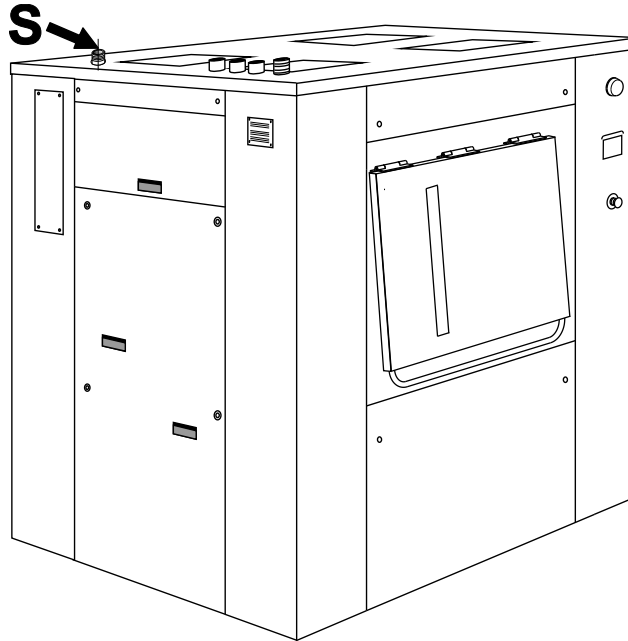
Supply voltage : 250 V~ maximum

Maximum intensity : 6 A.

16 Steam connection

For transport reasons, the steam electrovalve is dismantled and placed in the cardboard box supplies.

The inlet pipe to the machine has to be fit with a manual stopping valve to ease installation and maintenance and a flexible steam supply pipe to allow reliable running of automatic weighing system.



Hereunder values apply to the steam pressure:

Recommended pressure: 300 at 600 kPa (3 at 6 kg/cm²) (43.5 at 87 psi)

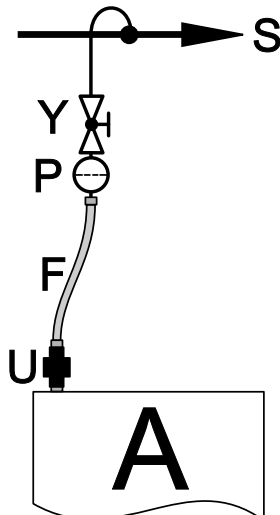
Limiting of values:

- **mini. 100 kPa (1 kg/cm²) (14.5 psi)**
- **maxi. 600 kPa (6 kg/cm²) (87psi)**

Connection size: DN 25 (1" BSP male).

Connect the steam installation on the top of the machine (see example sketch).

| | |
|----------|--|
| A | Washer-extractor |
| S | Steam inlet |
| Y | Manual stop wheel valve DN 25 (1" BSP) (provided by customer) |
| P | Steam filter DN 25 (1" BSP) (provided) |
| F | Steam special flexible pipe DN 25 (1" BSP) (provided) length : 70 cm |
| U | Pipe union DN 25 male/female (1" BSP) (provided) |



Steam connection low pressure

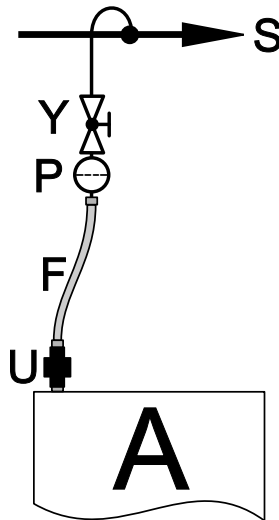
Hereunder values apply to the steam pressure:

Recommended pressure: 250 kPa (0.5 kg/cm²) (36 psi)

Connection size: DN 32 (1"1/4 BSP male).

Connect the steam installation on the top of the machine (see example sketch).

- A Washer-extractor
- S Steam inlet
- Y Manual stop wheel valve DN 32 (1"1/4 BSP) (provided by customer)
- P Steam filter DN 32 (1"1/4 BSP) (provided)
- F Steam special flexible pipe DN 32 (1"1/4 BSP) (provided) length : 70 cm
- U Pipe union DN 32 male/female (1"1/4 BSP) (provided)

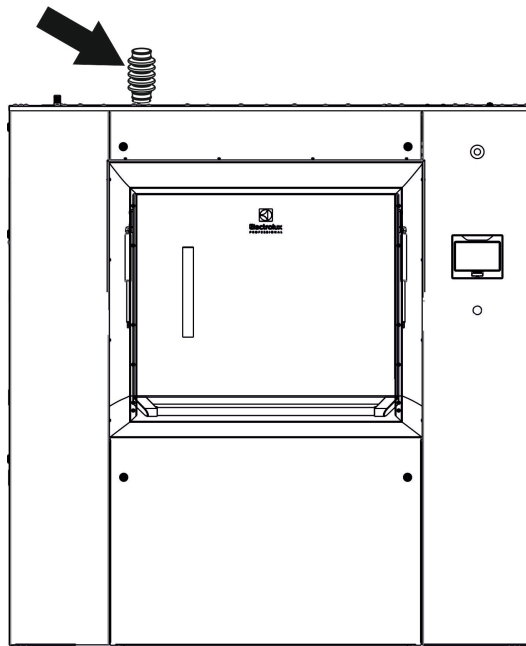


17 Air vent connection

The air vent of the outer drum opens on the top of the machine. Connect the bent hose to this opening.

Connect the air vent, to the outside of the laundry in accordance with the legislation.

The air vent should resist to 100 °C (212 °F) temperature and allow the condensates to return to the machine.



18 Note about the A.C. power

According to the EN 60204-1:1997 standard, the machine is provided for A.C. supplies corresponding to the extracted characteristics below :

4.3.2 A.C. supplies

Voltage:

Steady state voltage: from 0.9 to 1.1 of nominal voltage.

Frequency:

from 0.99 to 1.01 of nominal frequency continuously.

from 0.98 to 1.02 short time.

Harmonics:

Harmonic distortion not to exceed 10 % of the total r.m.s. voltage between live conductors for the sum of the second through to the fifth harmonic. An additional 2 % of the total r.m.s. voltage between live conductors for the sum of the sixth through to the 30th harmonic is permissible.

Voltage unbalance:

Neither the voltage of the negative sequence component nor the voltage of the zero sequence component in three-phase supplies shall exceed 2 % of the positive sequence component.

Voltage interruption:

Supply interrupted or at zero voltage for not more than 3 ms at any random time in the supply cycle. There shall be more than 1 second between successive interruptions.

Voltage dips:

Voltage dips shall not exceed 20 % of the peak voltage of the supply for more than one cycle. There shall be more than 1 second between successive dips.

19 Feeder cable sections

The feeder cable sections mentioned in our literature are given only as a guide.

To obtain a value perfectly suited to your own application and which takes account of the different correction factors in respect of your plant, refer to the tables below.

Table 1 (in accordance with EN Standard 60204-1)

Values given for:

- Cable with copper conductors
- Cable with PVC insulation (for other insulants see Table 3)
- Ambient temperature 40°C max. (for others see Table 2)
- Three-phase cable under load without including starting currents
- BT / C/ E cable layout.

Maximum Admissible Current

| Cable section | Seated in Cable Duct or Cable trough | Wall fixing | Cable tray |
|-------------------------|---|-------------|------------|
| | B2 | BC | E |
| 3 x 1.5 mm ² | 12.2 A | 15.2 A | 16.1 A |
| 3 x 2.5 mm ² | 16.5 A | 21 A | 22 A |
| 3 x 4mm ² | 23 A | 28 A | 30 A |
| 3 x 6 mm ² | 29 A | 36 A | 37 A |
| 3 x 10 mm ² | 40 A | 50 A | 52 A |
| 3 x 16 mm ² | 53 A | 66 A | 70 A |
| 3 x 25 mm ² | 67 A | 84 A | 88 A |
| 3 x 35 mm ² | 83 A | 104 A | 114 |
| 3 x 50 mm ² | - | 123 A | 123 A |
| 3 x 70 mm ² | - | 155 A | 155 A |

Table 2 (correction factors for different ambient temperatures)

| Ambient temperature | Correction factor |
|---------------------|-------------------|
| 30 °C | 1.15 |

| | |
|-------|------|
| 35 °C | 1.08 |
| 40 °C | 1.00 |
| 45 °C | 0.91 |
| 50 °C | 0.82 |
| 55 °C | 0.71 |
| 60 °C | 0.58 |

Table 3 (correction factors for different cable insulating materials)

| Insulating material | Max. Working temperature range | Correction factor |
|------------------------------------|---------------------------------------|--------------------------|
| PVC | 70°C (158 °F) | 1.00 |
| Natural or Synthetic Rubber | 76°C (140 °F) | 0.92 |
| Silicone Rubber | 120°C (248 °F) | 1.60 |

Table 4 (B2, C and correction factors for cable grouping)

| Number of cables | B2 | E | E |
|------------------|----------------------|-----------------------------|------------|
| | Seated in Cable Duct | Wall fixing or Cable trough | Cable tray |
| 1 | 1.00 | 1.00 | 1.00 |
| 2 | 0.80 | 0.85 | 0.87 |
| 4 | 0.65 | 0.75 | 0.78 |
| 6 | 0.57 | 0.72 | 0.75 |
| 9 | 0.50 | 0.70 | 0.73 |

The total current included for using Table 1 should be the maximum rated current for the machine divided by the product of the different correction factors. Other correction factors may also be applied ; consult the cable manufacturers.

Calculation : Example

- The machine has a rated current of 60 A.
- The ambient temperature is 45 °C ; Table 2 gives a correction factor of 0.91.
- Rubber cable insulant : Table 3 gives a correction factor of 0.92.
- The cable is fixed directly to the wall (Column C), with 2 cables side by side. Table 4 gives a correction factor of 0.85.

$$\text{Total current : } \frac{60 \text{ A}}{0.91 \times 0.92 \times 0.85} = 84 \text{ A}$$

Taking Column C in Table 1 (wall fixing), we obtain a minimum cable section of : 3 x 25 mm².

20 Electricity power supply



Prior to use, the washer-extractor should be connected to a multi-pole switch prior to the machine to facilitate installation and service operations.



Caution



The electrical installation of the machine must be undertaken by qualified personnel.



Caution



Ensure that the electrical voltage is correct and that the power of your supply is sufficient, before connecting the machine.



Caution



The main switch is located on the right side of the machine , identified by this sticker.



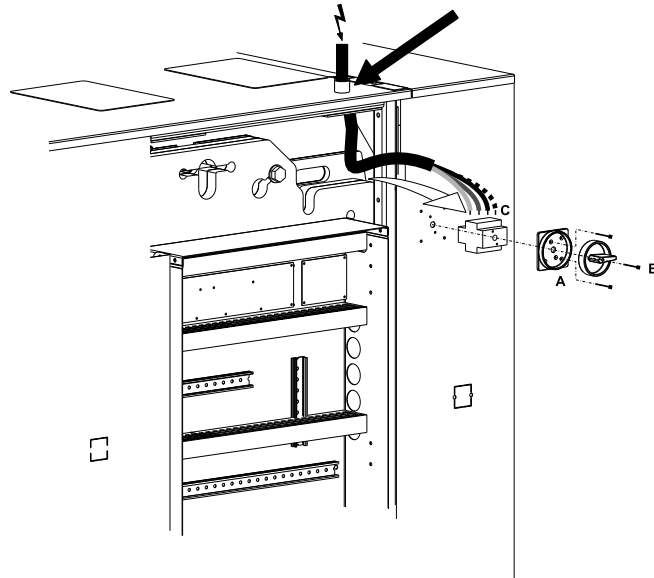
Note!

The use of power electronics (converter or filter for example) may lead to unexpected release of breakers with 30 mA differential current device.

Therefore a Type B residual differential protection system with reinforced immunity of 300 mA in accordance with standard NFC 15100 must be used for our washing machines.

To avoid these untimely activations, you ought to use differential protecting systems with residual current only, having a high level of reinforced immunity as regards leakage transient current.

Pass the power supply cable of the machine through the stuffing box on the top of the machine.

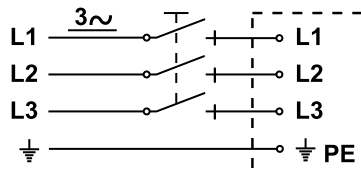


Caution



The main switch must be removed in order to have easy access to the connections terminals. Remove the outer sections (A) and the inner section (C) by unscrewing the screws (B). When the cables are attached, reassemble the switch in reverse order.

For each machine, install a fixed multipolar circuit breaker (or fuses protector) in the laundry main cabinet.



d0466

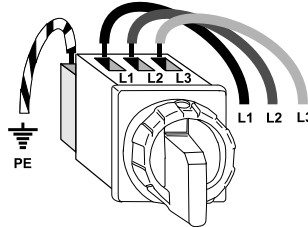
Connect the power supply cable on the machine main switch. Connect the 3 phases on the main switch (see marks L1, L2, L3) and connect the earth wire on the earth terminal (PE) of this main switch. (see chapter "Function checks").



Caution



In case of a machine with integrated weighing, you must use a flexible power supply cable to connect the machine.



| Machine type | Heating | Supply Voltage | Rated Power | Rated Intensity | Connection cable section | Protection |
|--------------|----------------|--------------------------|-------------|-----------------|--------------------------------|------------|
| 70 | Electric | 380/415 V 3+E ~ 50/60 Hz | 65.7 kW | 100.5 A | 4 x 35 mm ² | 3 x 125 A |
| | Electric/Steam | 480V 3+E ~ 50/60 Hz | 67.7 kW | 80 A | 4 x 35 mm ² / AWG 2 | 3 x 100 A |
| | Steam | 380/415 V 3+E ~ 50/60 Hz | 11.7 kW | 27 A | 4 x 10 mm ² | 3 x 32 A |
| 90 | Electric | 380/415 V 3+E ~ 50/60 Hz | 87.7kW | 135 A | 4 x 35 mm ² | 3 x 160 A |
| | Electric/Steam | 480V 3+E ~ 50/60 Hz | 87.7 kW | 105 A | 4 x 50 mm ² / AWG 2 | 3 x 125 A |
| | Steam | 380/415 V 3+E ~ 50/60 Hz | 15.7 kW | 33 A | 4 x 10 mm ² | 3 x 40 A |
| 110 | Electric | 380/415 V 3+E ~ 50/60 Hz | 91 kW | 140 A | 4 x 50 mm ² | 3 x 160 A |
| | Electric/Steam | 480V 3+E ~ 50/60 Hz | 91 kW | 110 A | 4 x 50 mm ² / AWG 2 | 3 x 125 A |
| | Steam | 380/415 V 3+E ~ 50/60 Hz | 19 kW | 42 A | 4 x 10 mm ² | 3 x 50 A |

21 Compressed air connection

The customer should arrange the installation of filter device, as well as a pressure regulator (manometer) on the machine's compressed air supply.



Caution



The machine must be supplied with dried and perfectly filtered compressed air :
 The compressed air admitted to the distributors and jacks must be purified to the following values:

- it must be free from solid particles larger than 5 µm. The filter present on our machines has a filtration of 5µm.
- It should not contain more than 1.5 g of water / m3
- It should not contain more than 30 mg of oil condensate / m3

The manual stopping valve lockable in closed position (provided by customer) should be installed on the machine's compressed air supply.

The supply pipe should accept a pressure of at least 1 Mpa (10 bar) (145 psi).

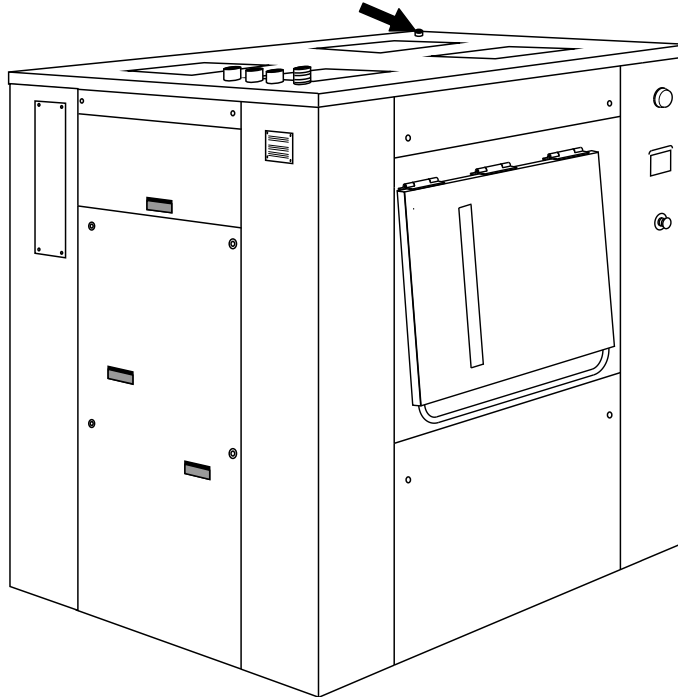
- Connection diameter: rapid action hose coupling DN 6 (0.24") for hose Ø 6/8 mm.
- Advised pressure: 550-700 kPa (5,5-7 bar) (80-102 psi).
- Minimum pressure: 550 kPa (5,5 bar) (80 psi).
- Maximum pressure: 700 kPa (7 bar) (102 psi).
- Consumption 50 l/h.



Important



To avoid too big head losses, the compressed air supply pipe should be bigger in diameter than the coupling diameter (DN 8 for example); in this case, put a 6/8-8/10 adapter.



22 Function checks



Caution



Before putting the machine into service, carry out the working tests.
The operating inspection must be done by an approved technician.



Caution



Check the settings into the Clarus Vibe settings section before putting the machine into service.

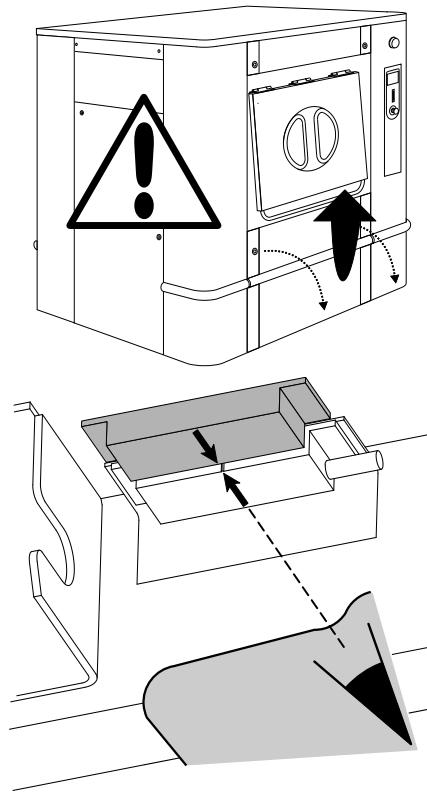
Magnetic detector for tank door safety



Caution



Before starting the appliance, please remove the bottom guard and check that the magnetic detector is correctly aligned.
For barrier machines, repeat this step on the second door.

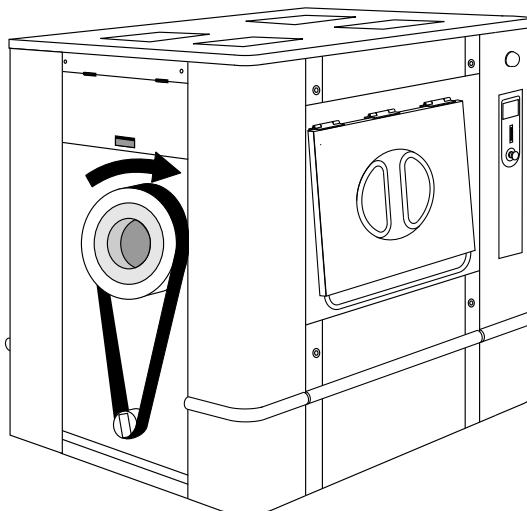


Manual operation

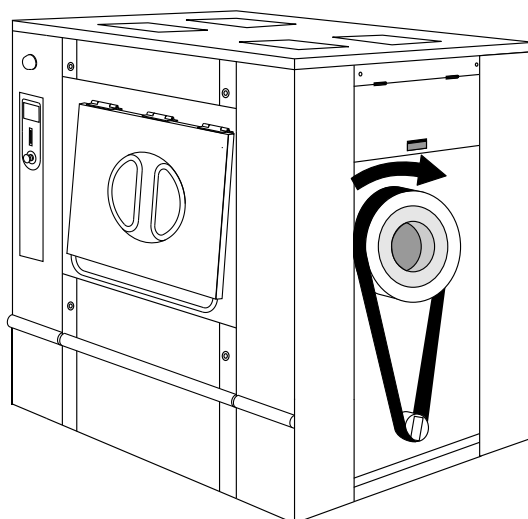
The procedure for operating the various machine functions manually is described in the chapter "Machine operation" under the heading "Manual operation".

- Switch on the machine's main switch and check the voltage on the three phases (3 x 400 volts).
- Check the direction of rotation of the **cage during spinning**. The inner drum should rotate as shown by the arrow on the drawing below. Check this point especially if you have changed the machine's motor or frequency converter.

Washer extractor barrier type :



Washer extractor standard type (one door) :



- Check the direction of rotation of motion motor fan . (see arrow stuck on the fan)
Switch off the current and shift two phases on the main switch of the machine if the fan rotates in the wrong direction.
- Check that the inner drum is empty.
- Open the manual valves controlling the water and steam supplies (for steam heating machines).
- Operate the machine manually to fill with cold water, then hot water. Check that these water supplies are connected as they should be.
- Start the machine on wash action, and check that the motor is revolving alternately in the both ways, as normal for wash action.
- Start heating by programming a final temperature. Check that the steam valve opens or the heating element relay reacts, as appropriate.
- Check that the detergents container is working as they should.
- Check the water and steam connections and the drain valve for signs of any leakages.
- Empty the water from the machine and open its door.

Automatic operation

- Check that the external switch or switches are switched on and that the manual valves for water and steam (if the machine has steam heating) are open.
- Run one of the machine's built-in (standard) with heating.
- Check that the program proceeds normally, and the water filling, detergent filling, heating and motor action are all working in accordance with the program display on the display screen.

Final checking

If all function checks have been satisfactory, reassemble all protection casings.








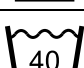
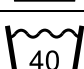






23 Explanation of washing symbols

(ISO 3758:2005 standard)

To overcome language barriers, the following are symbols used internationally to give you guidance and recommendations when washing different textiles.




23.1 Washing

The tub symbolizes washing.

| Symbols | Max. washing temperature in °C | Mechanical action |
|---|--------------------------------|-------------------|
|  | 95 | normal |
|  | 95 | mild |
|  | 70 | normal |
|  | 60 | normal |
|  | 60 | mild |
|  | 50 | normal |
|  | 50 | mild |
|  | 40 | normal |
|  | 40 | mild |
|  | 40 | very mild |
|  | 30 | normal |
|  | 30 | mild |
|  | 30 | very mild |
|  | 40 | wash by hand |
|  | - | do not wash |




23.2 Bleaching

The triangle symbolizes bleaching.

| Symbols | Explanation |
|---|---|
|  | Bleaching allowed (chlorine or oxygen). |
|  | Bleaching allowed (only oxygen). |
|  | Do not bleach. |





23.3 Drying

The circle in a square symbolizes tumble drying.

| Symbols | Explanation |
|---|---|
|  | Can be put in a tumble dryer. Normal temperature. |
|  | Can be put in a tumble dryer. Lower temperature. |
|  | Do not put in a tumble dryer. |




23.4 Ironing






The iron symbolizes the domestic ironing and pressing process.

| Symbols | Explanation |
|---|--|
|  | Max. temperature 200 °C. |
|  | Max. temperature 150 °C. |
|  | Max. temperature 110 °C. The steam can cause irreversible damages. |
|  | Do not iron. |

23.5 Dry or water cleaning

The circle symbolizes dry or water cleaning.

| Symbols | Explanation |
|---|--|
|  | Normal dry cleaning with perchloroethyl, solvent of hydrocarb. |
|  | Mild dry cleaning with perchloroethyl, solvent of hydrocarb. |
|  | Normal dry cleaning with solvent of hydrocarbon. |

| | |
|---|---|
|  | <p>Mild dry cleaning with solvent of hydrocarbon.</p> |
|  | <p>Do not dry clean.</p> |
|  | <p>Normal water cleaning.</p> |
|  | <p>Mild water cleaning.</p> |
|  | <p>Very mild water cleaning.</p> |

24 Conversion of measurement units

This following is a list of correspondences of the main frequency used units, to avoid the need to use measurement unit conversion table.

| | | | |
|------------------------|--|--------------------------------|--|
| bar | 1 bar = 100 000 Pa 1 bar = 1.019 7 kg/cm ² 1 bar = 750.06 mm Hg 1 bar = 10 197 mm H ₂ O 1 bar = 14.504 psi | British thermal unit | 1 Btu = 1 055.06 J 1 Btu = 0.2521 kcal |
| calorie | 1 cal = 4.185 5 J 1 cal = 10 ⁻⁶ th 1 kcal = 3.967 Btu 1 cal/h = 0.001 163 W 1 kcal/h = 1.163 W | Continental horse power | 1 ch = 0.735 5 kW 1 ch = 0.987 0 HP |
| cubic foot | 1 cu ft = 28 316 8 dm ³ 1 cu ft = 1 728 cu in | cubic inch | 1 cu in = 16.387 1 dm ³ |
| foot | 1 ft = 304.8 mm 1 ft = 12 in | gallon (U.K.) | 1 gal = 4.545 96 dm ³ or l 1 gal = 277.41 cu in |
| gallon (U.S.A.) | 1 gal = 3.785 33 dm ³ or l 1 gal = 231 cu in | horse power | 1 HP = 0.745 7 kW 1 HP = 1.013 9 ch |
| inch | 1 in = 25.4 mm | joule | 1 J = 0.000 277 8 Wh 1 J = 0.238 92 cal |
| kilogramme | 1 kg = 2.205 62 lb | kg/cm² | 1 kg/cm ² = 98 066.5 Pa 1 kg/cm ² = 0.980 665 bar 1 kg/cm ² = 10 000 mm H ₂ O 1 kg/cm ² = 735.557 6 mm Hg |
| pound | 1 lb = 453.592 37 g | meter | 1 m = 1.093 61 yd 1 m = 3.280 83 ft 1 m = 39.37 in |
| cubic meter | 1 m ³ = 1 000 dm ³ 1 m ³ = 35.214 7 cu ft 1 dm ³ = 61.024 cu in 1 dm ³ = 0.035 3 cu ft | pascal | 1 Pa = 1 N/m ² 1 Pa = 0.007 500 6 mm Hg 1 Pa = 0.101 97 mm H ₂ O 1 Pa = 0.010 197 g/cm ² 1 Pa = 0.000 145 psi 1 MPa = 10 bar |
| psi | 1 psi = 0.068947 6 bar | thermie | 1 th = 1 000 kcal 1 th = 10 ⁺⁶ cal 1 th = 4.185 5 x 10 ⁺⁶ J 1 th = 1.162 6 kWh 1 th = 3 967 Btu |
| watt | 1 W = 1 J/s 1 W = 0.860 11 kcal/h | watt-hour | 1 Wh = 3 600 J 1 kWh = 860 kcal |
| yard | 1 yd = 0.914 4 m 1 yd = 3 ft 1 yd = 36 in | temperature degrees | 0 °K = -273.16 °C 0 °C = 273.16 °K t °C = 5/9 (t °F - 32) t °F = 1.8 t °C + 32 |



Electrolux Professional AB
341 80 Ljungby, Sweden
www.electroluxprofessional.com